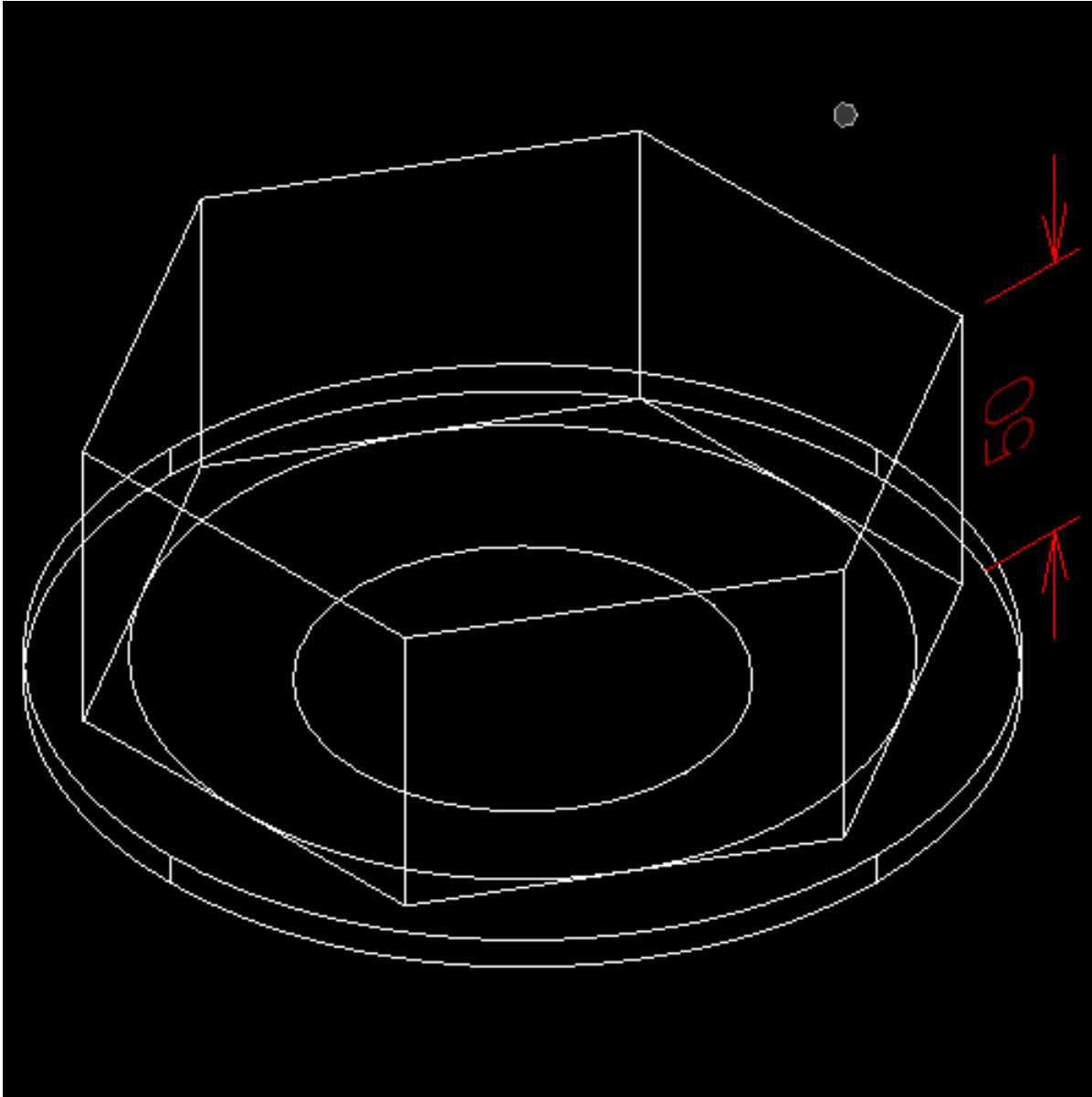
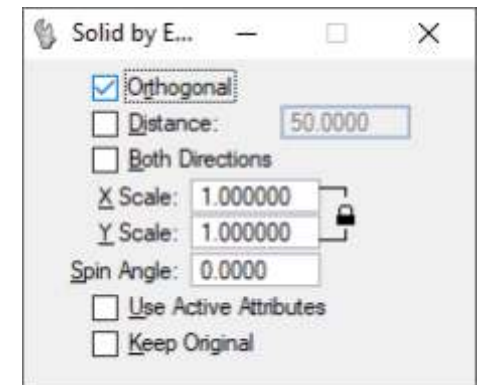
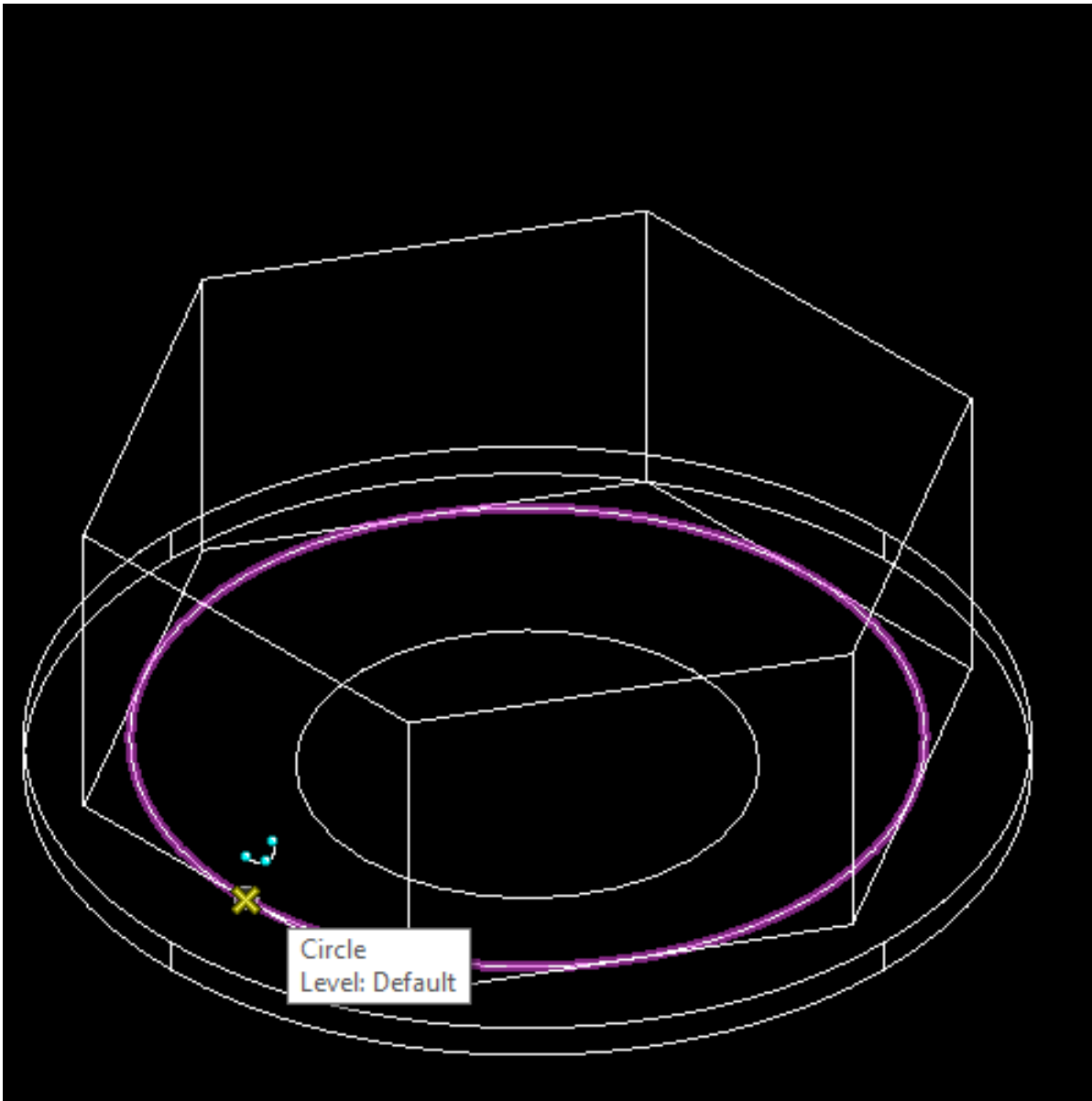
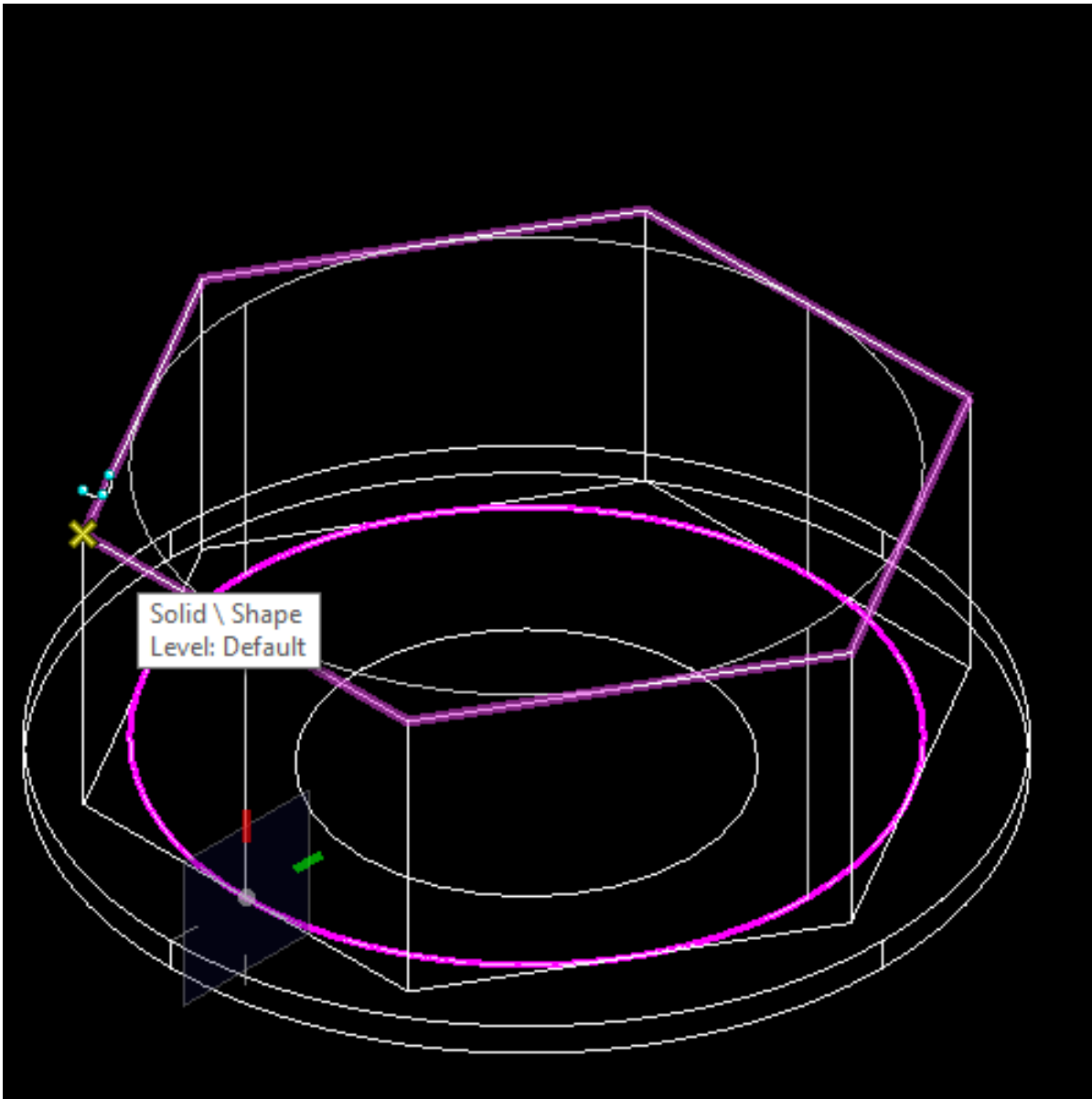
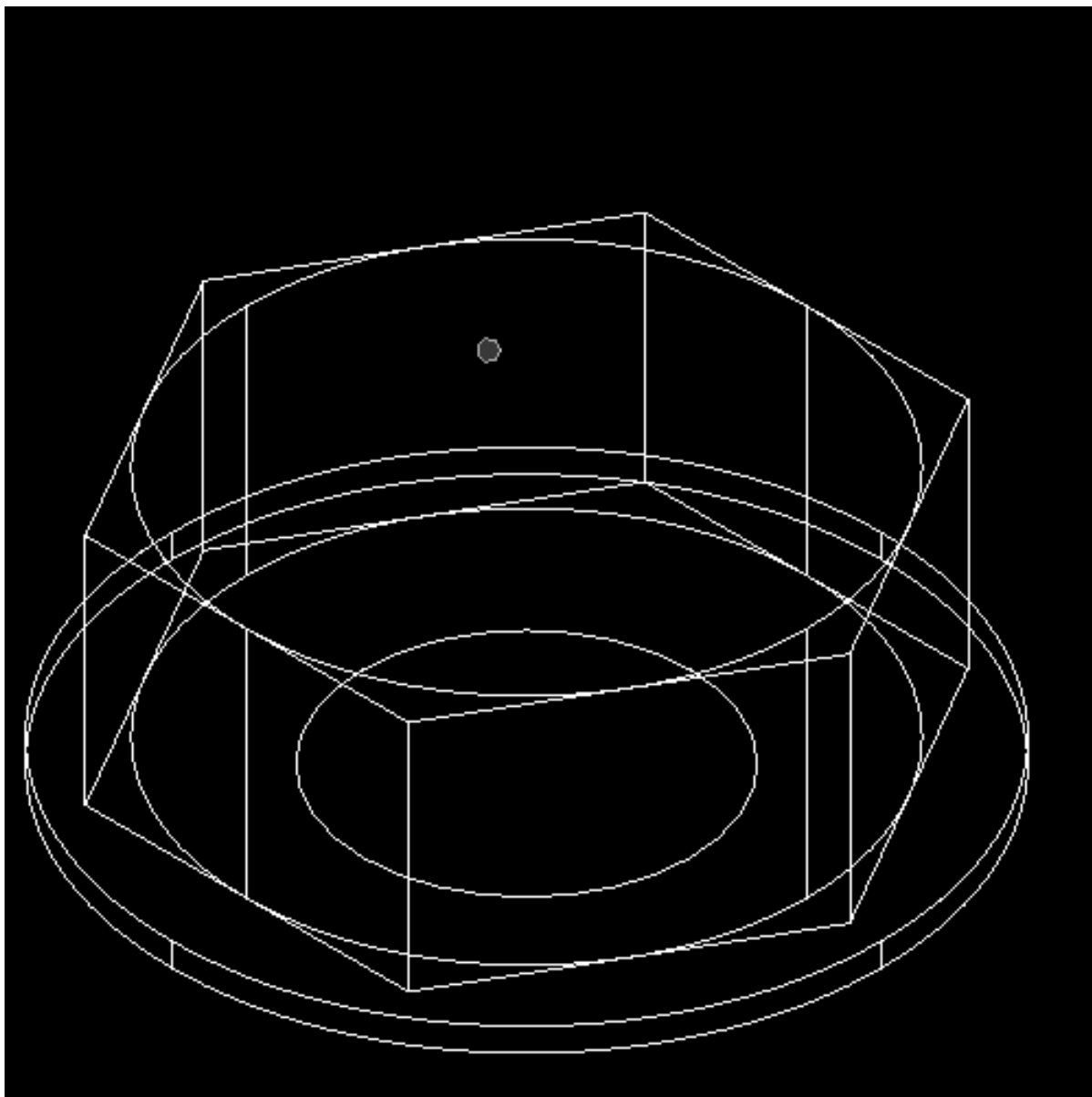


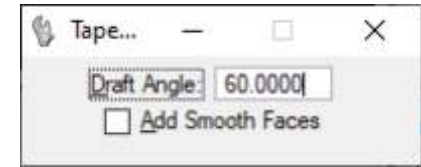
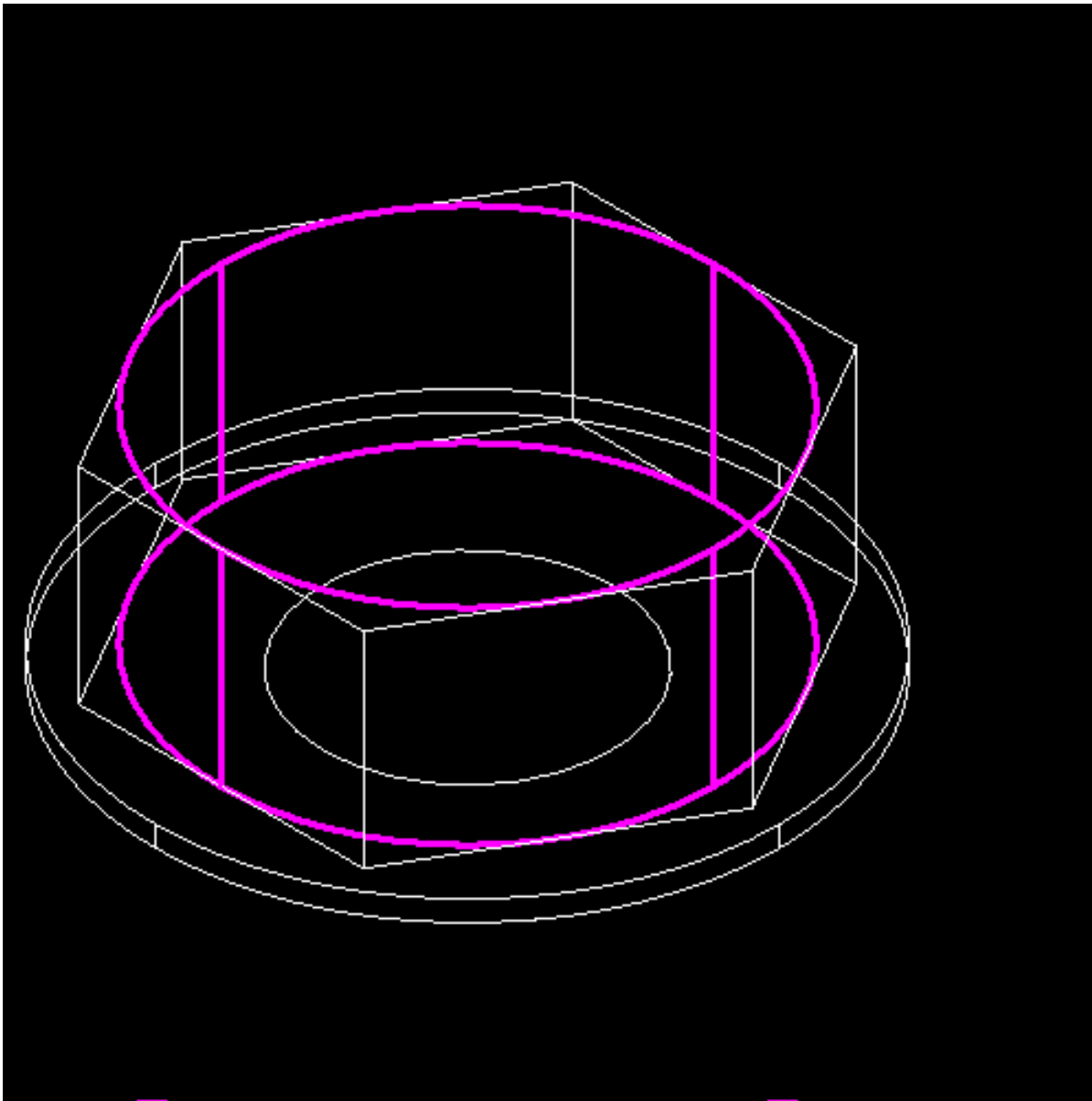
H=50





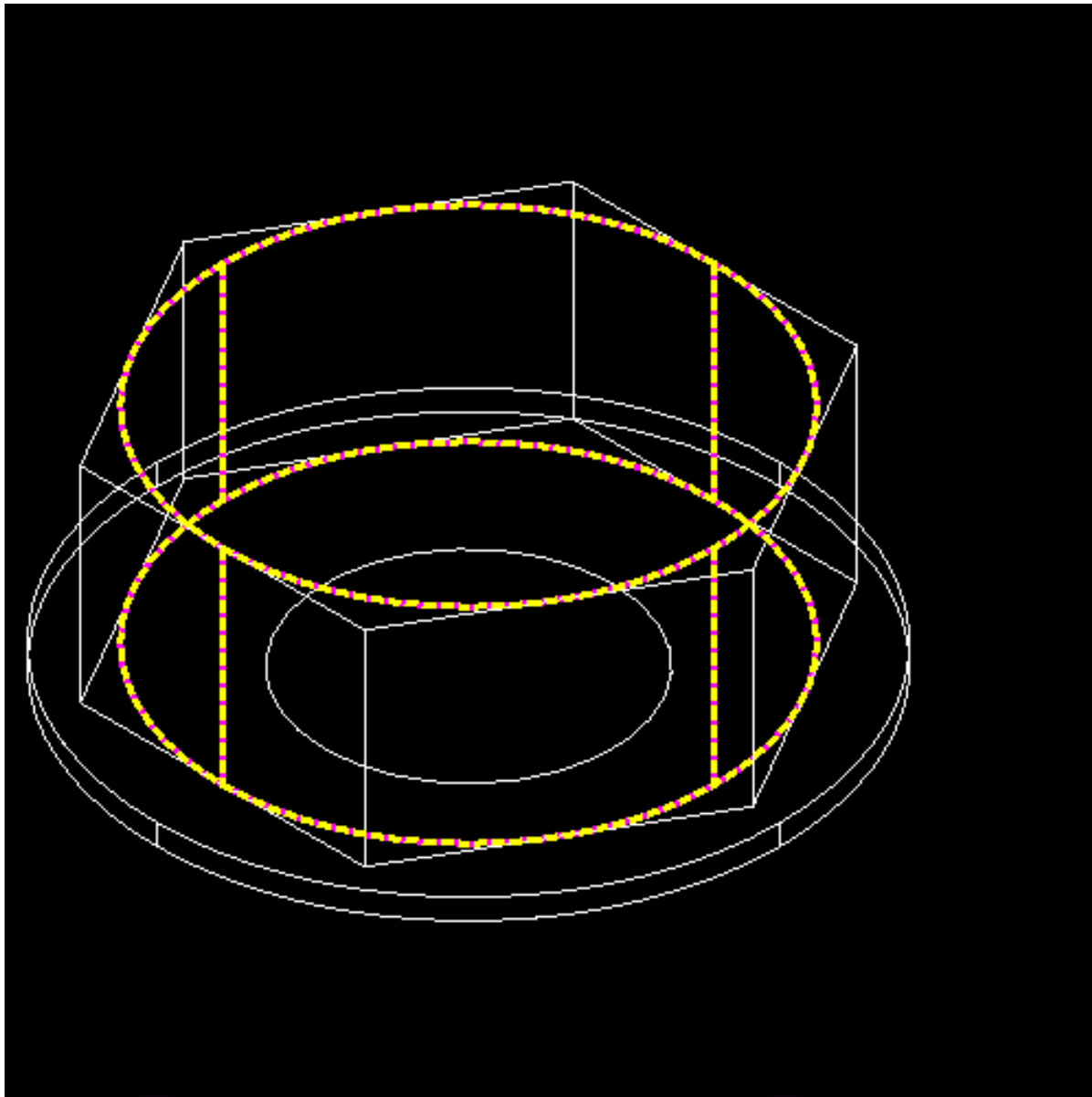


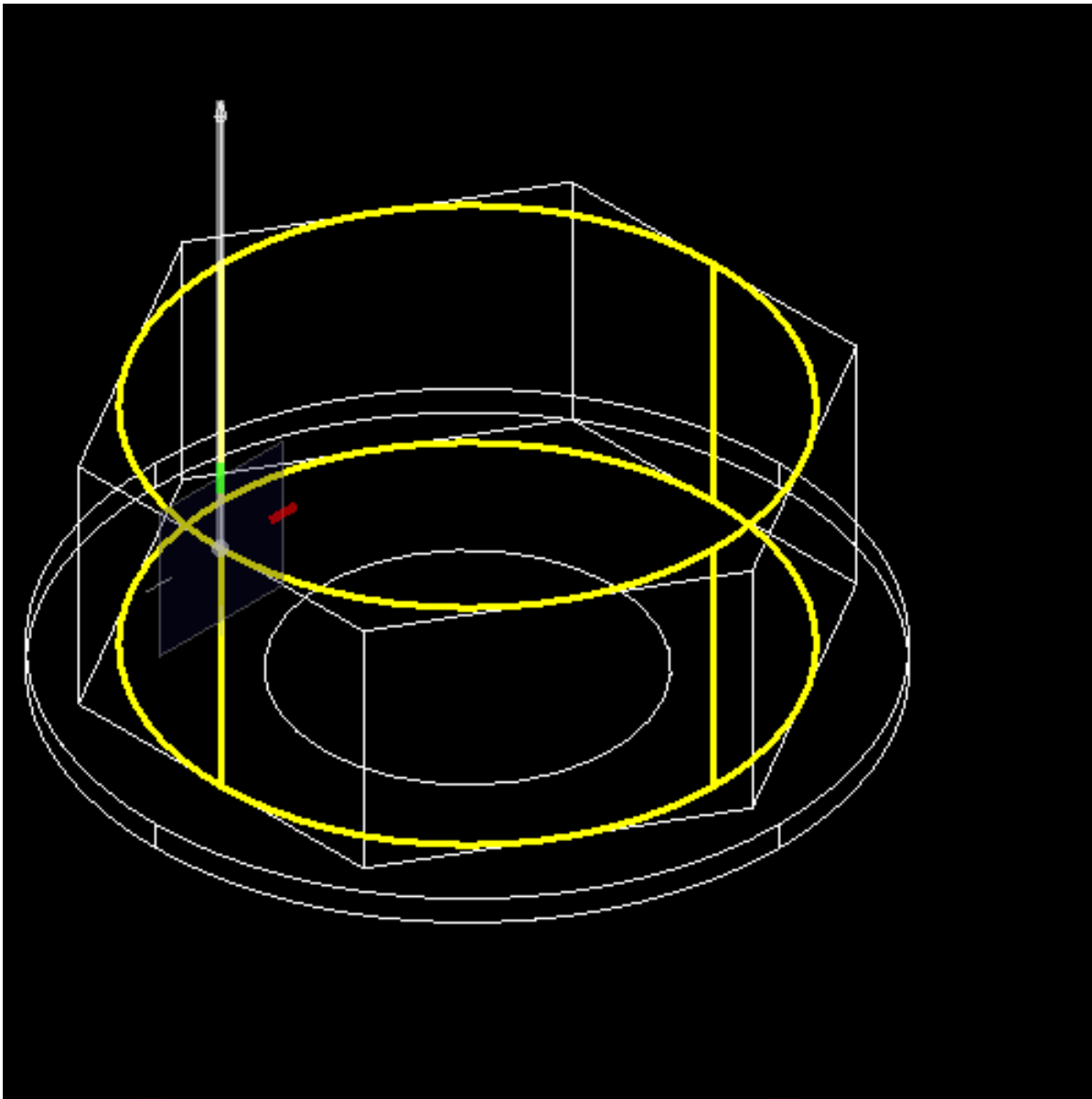




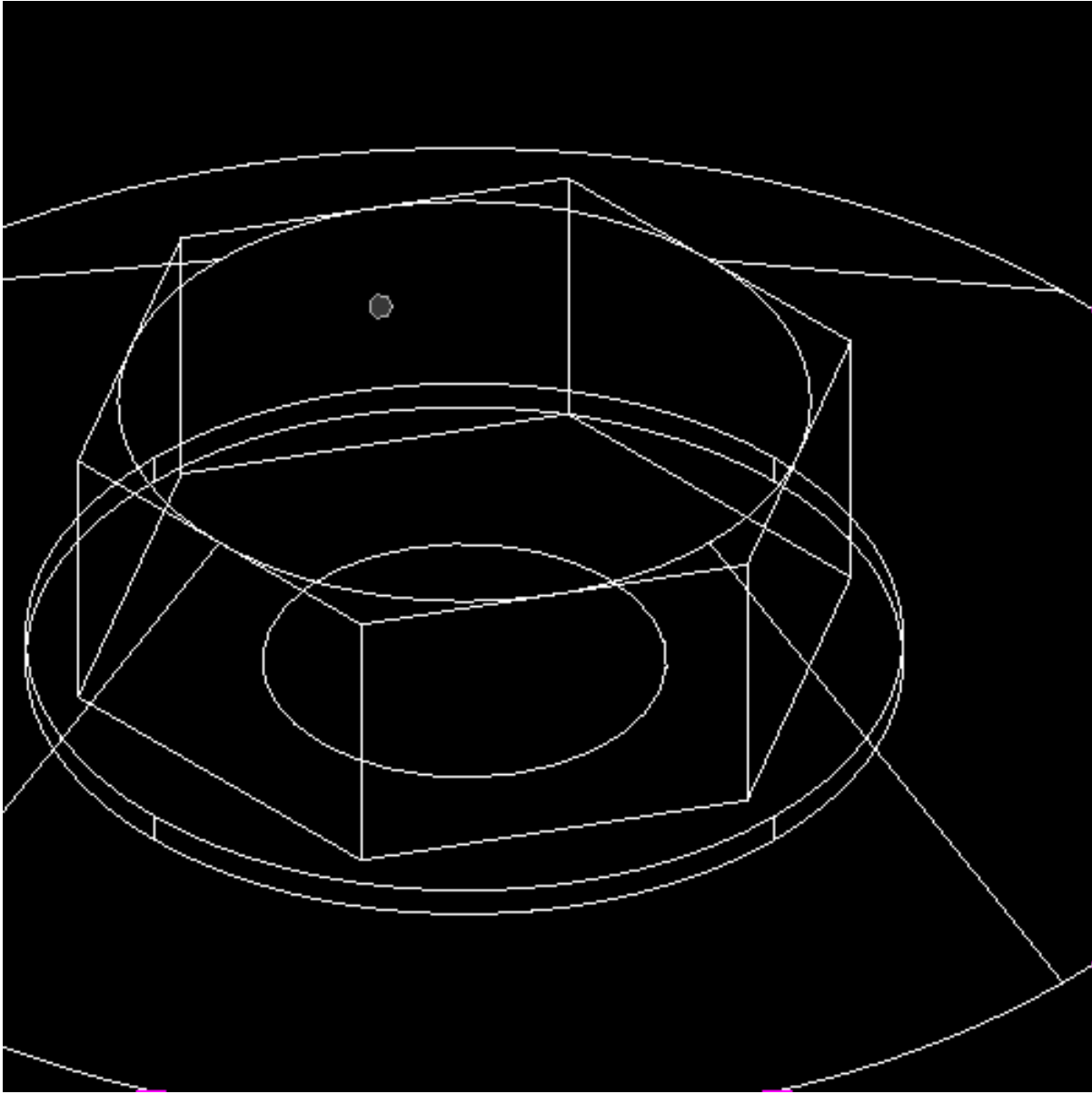
Modify Solids - Task

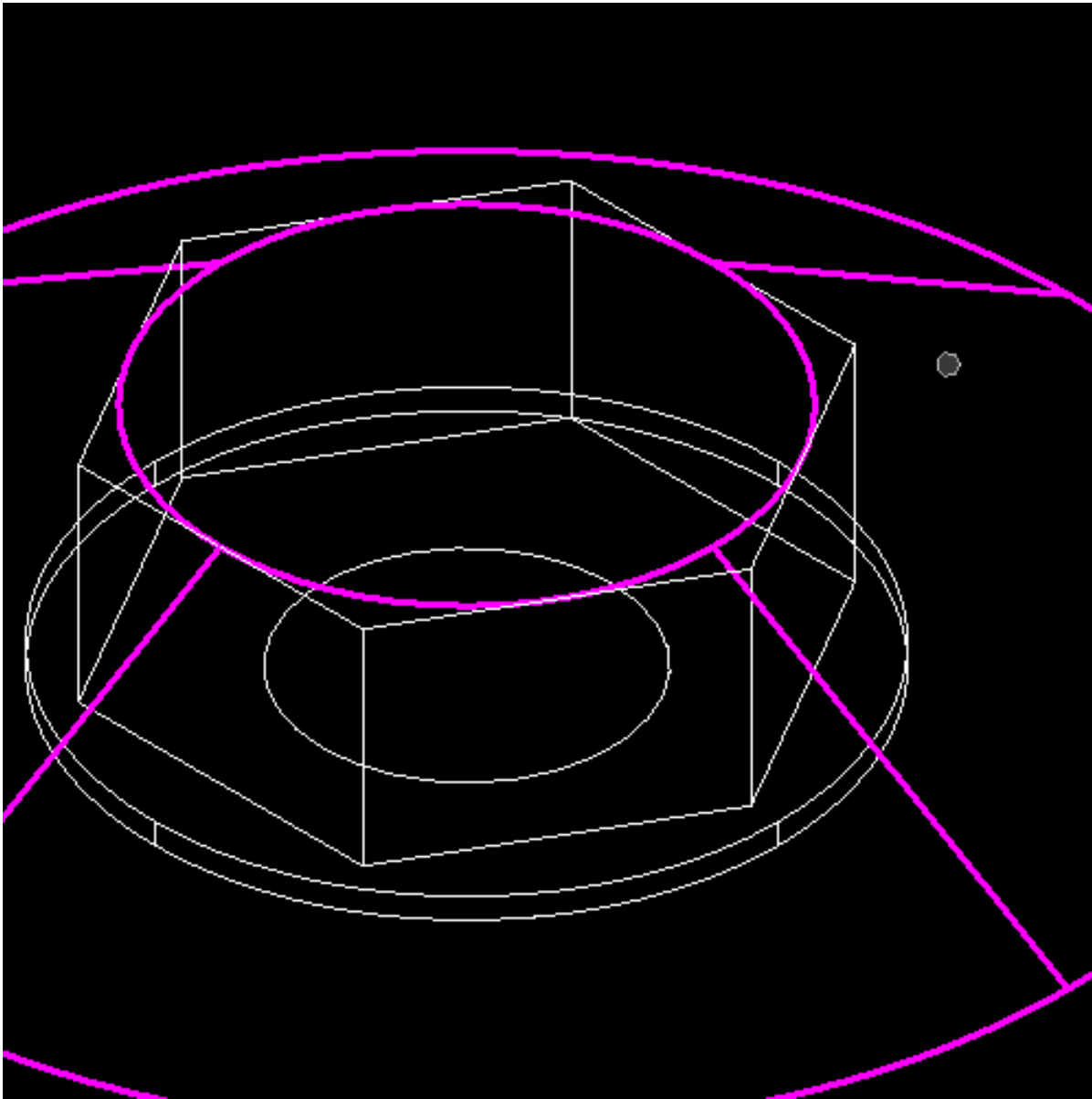


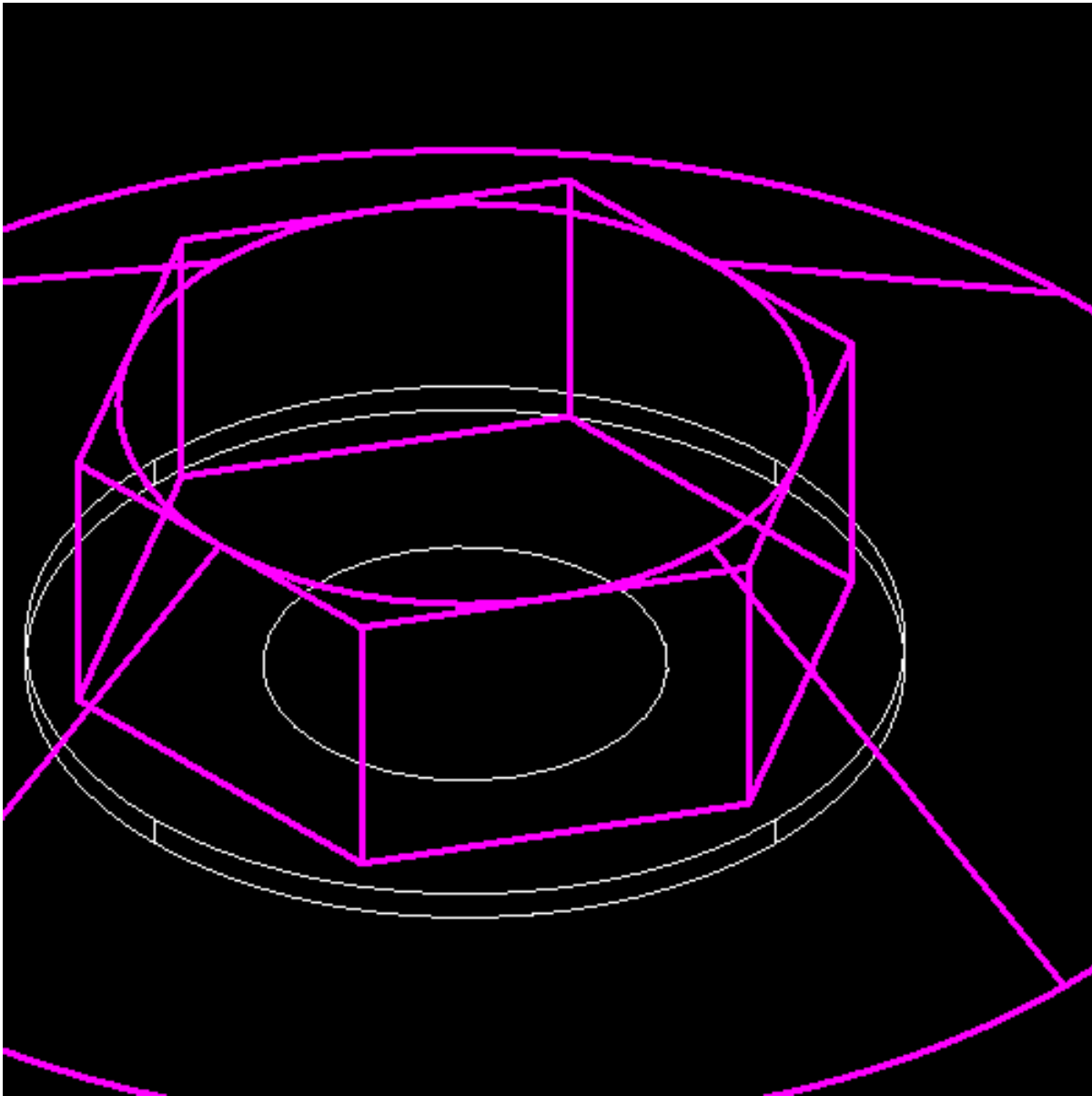


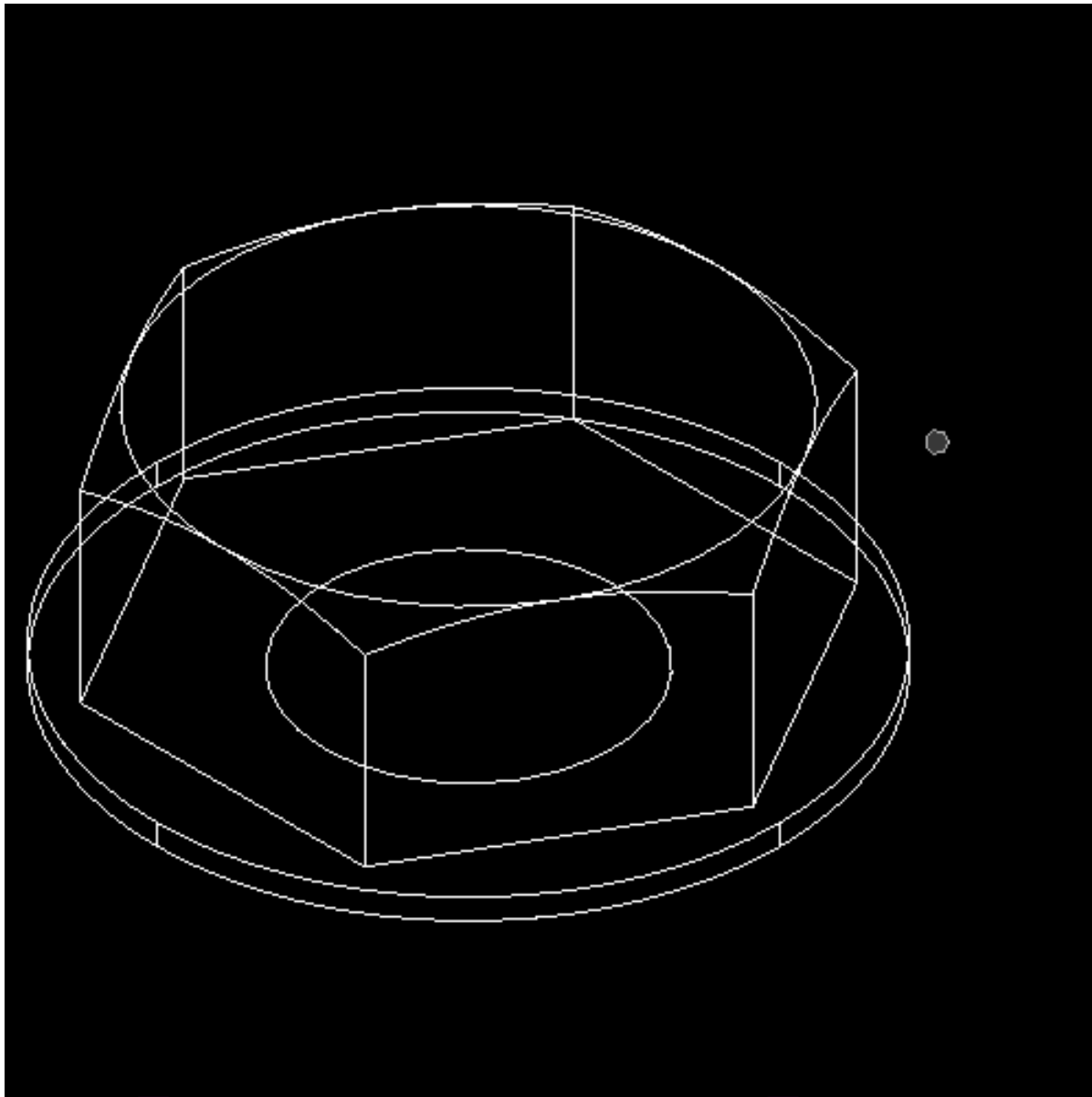


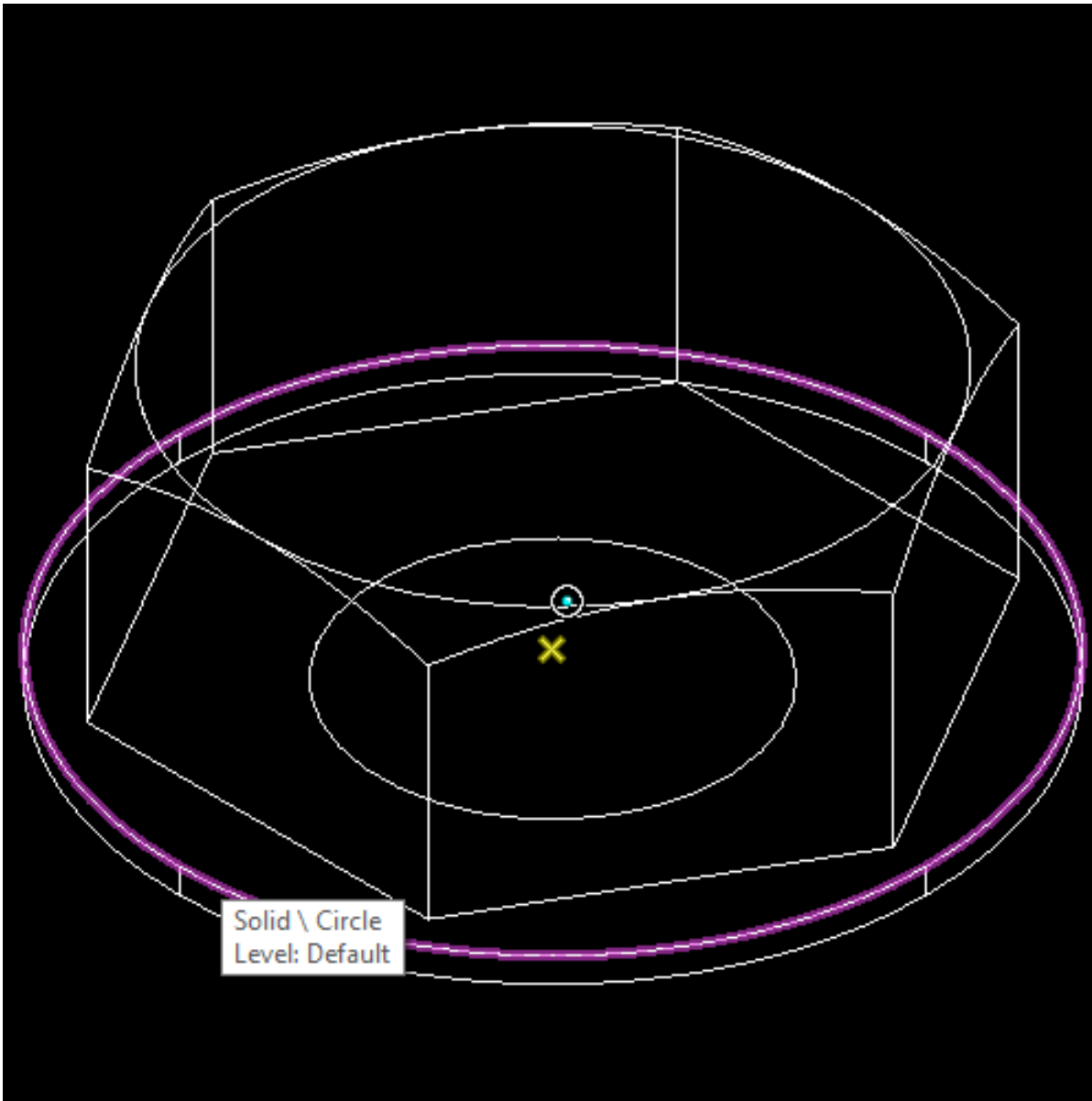


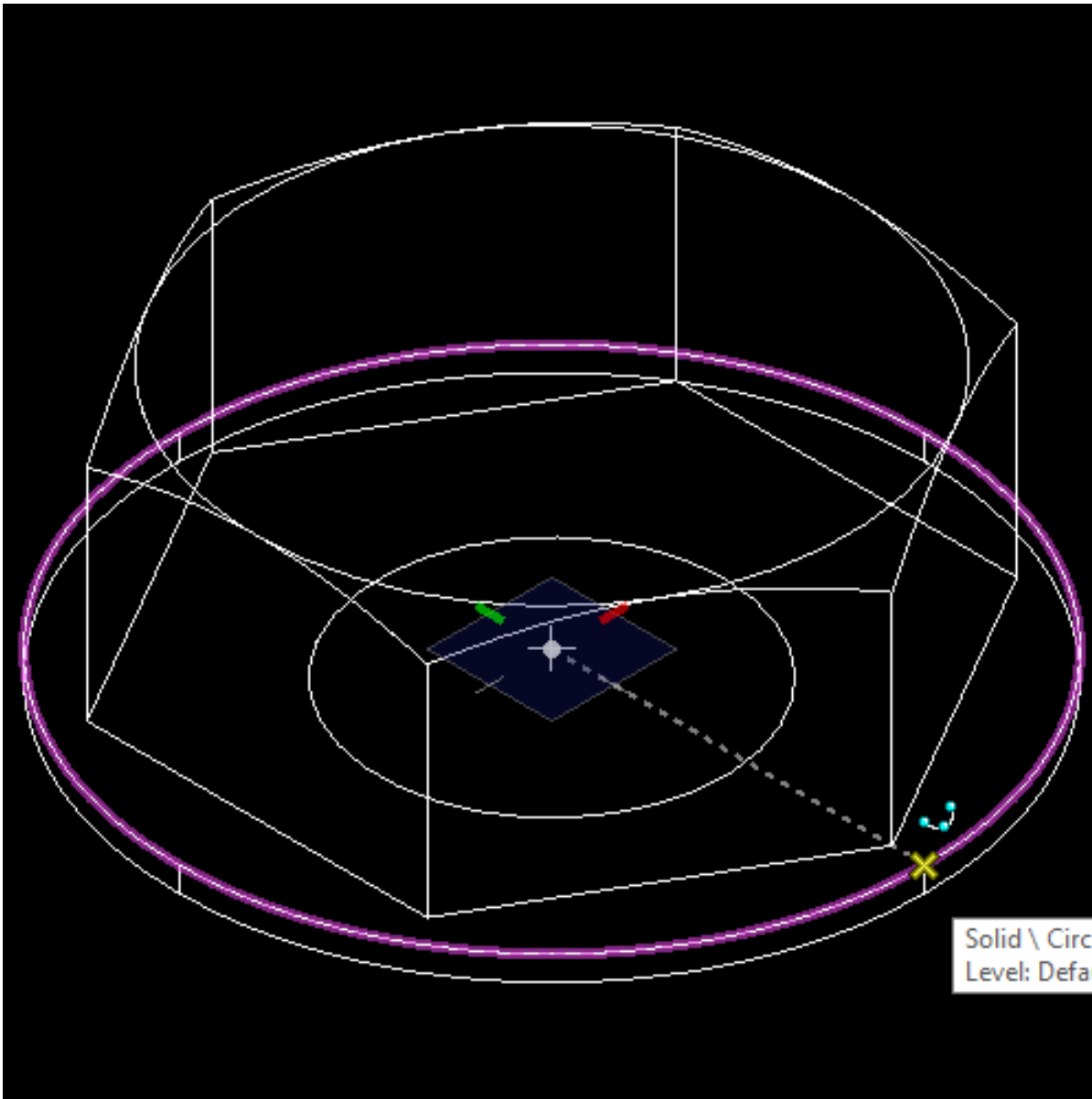


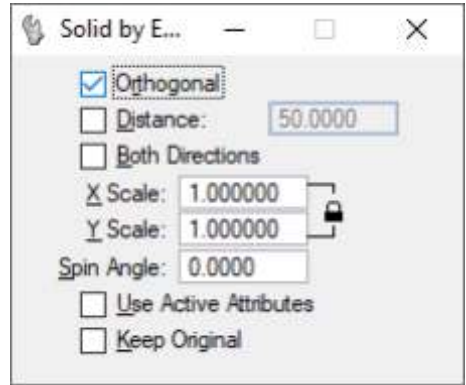
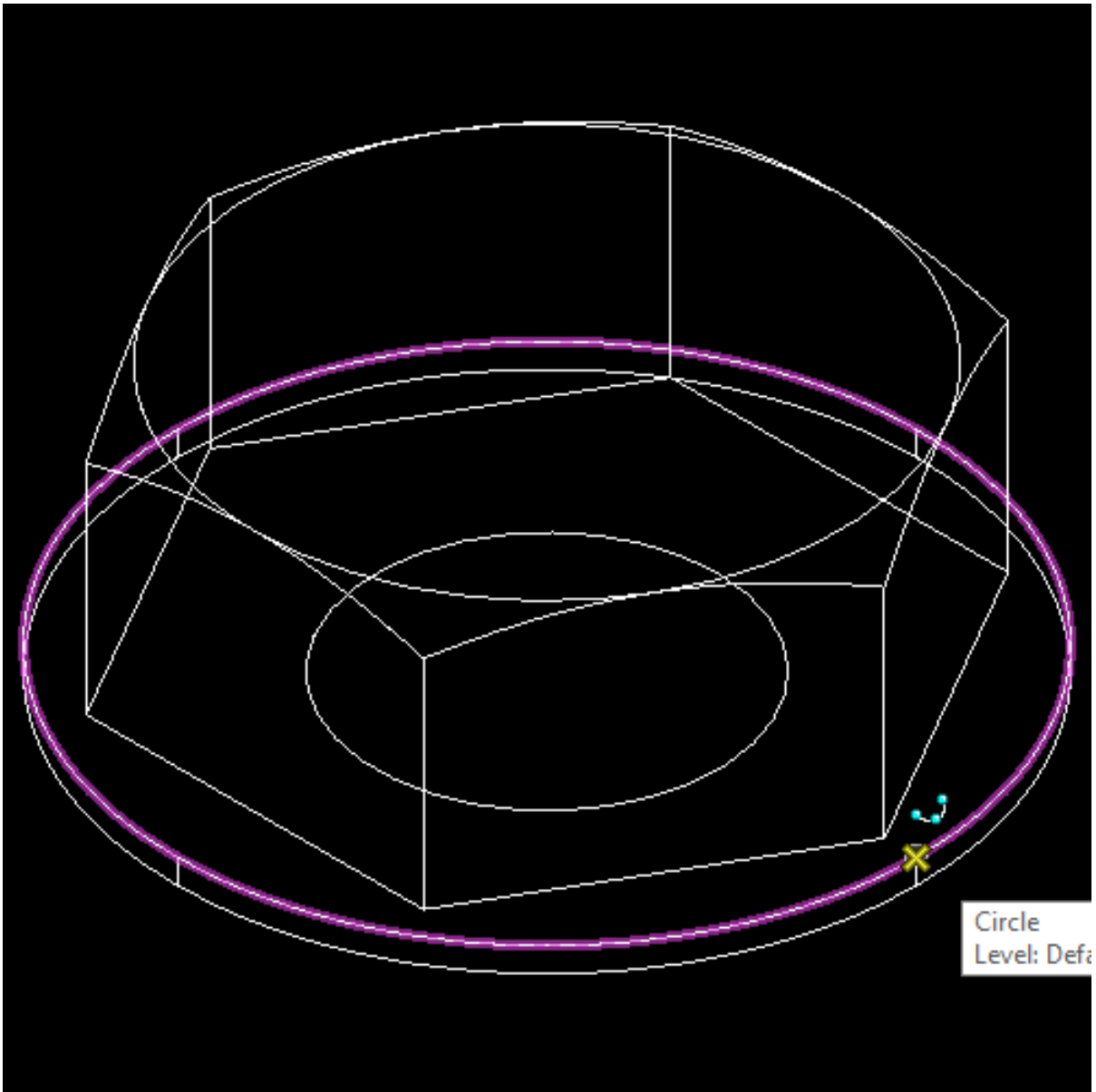


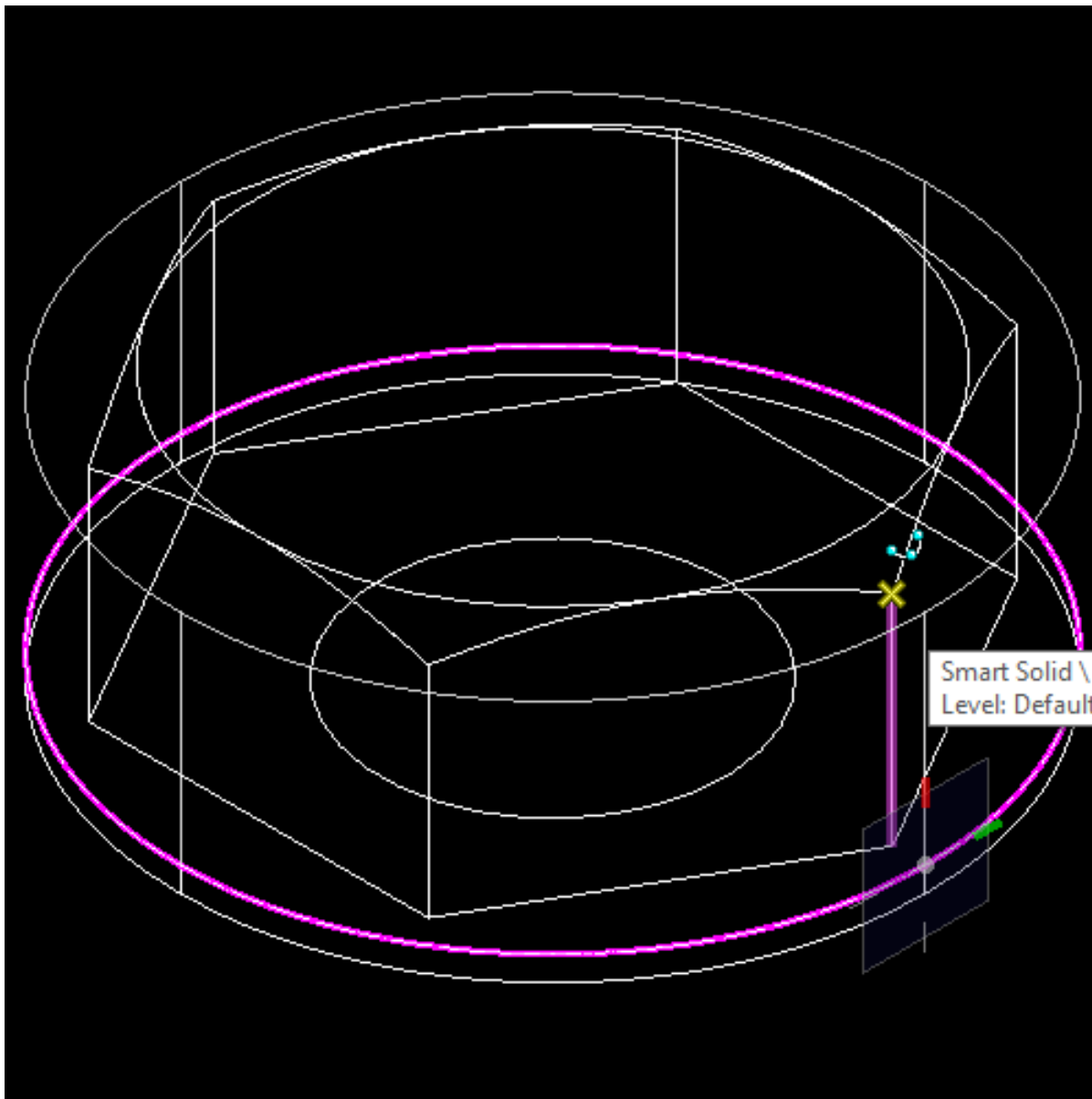




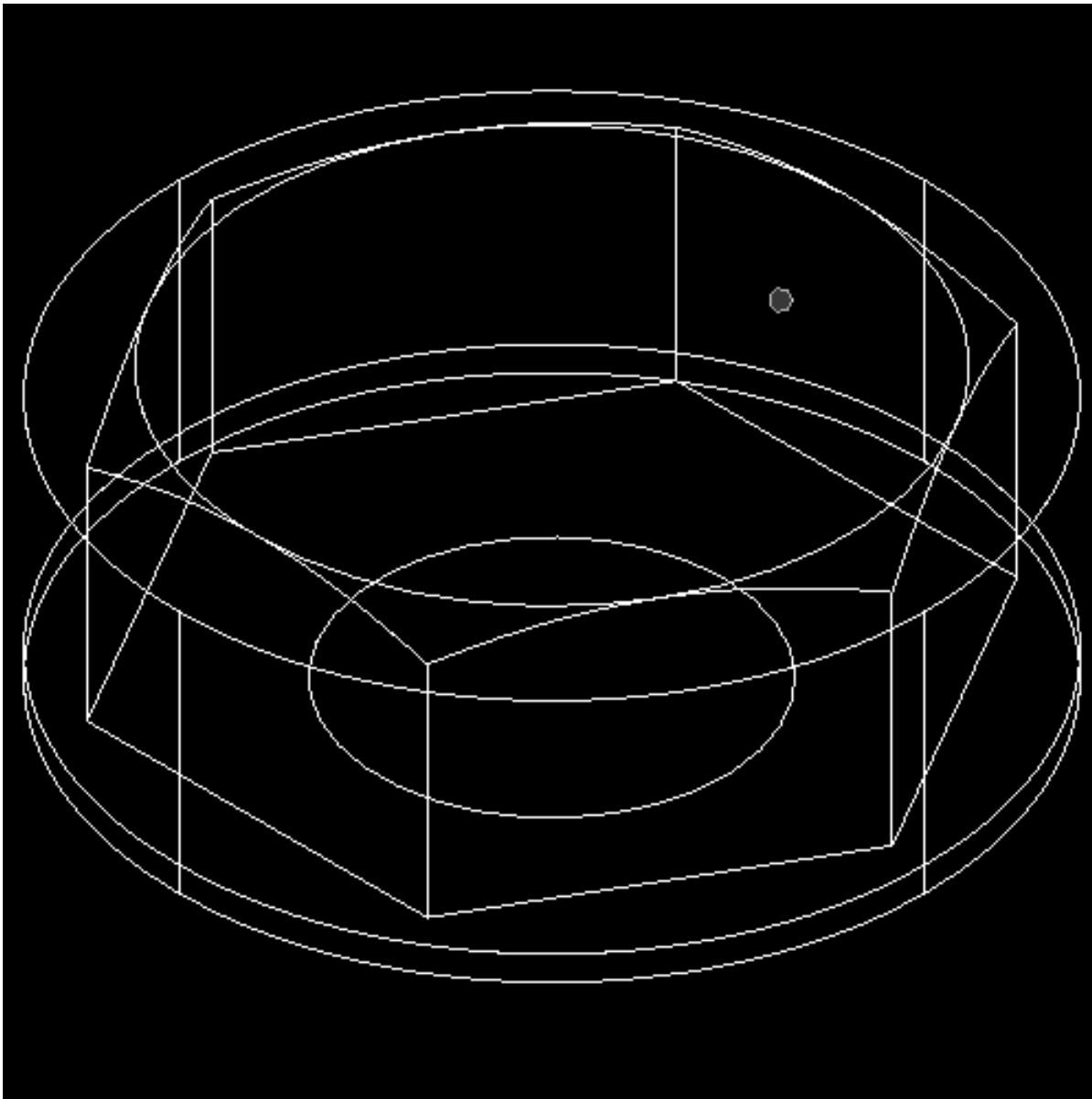




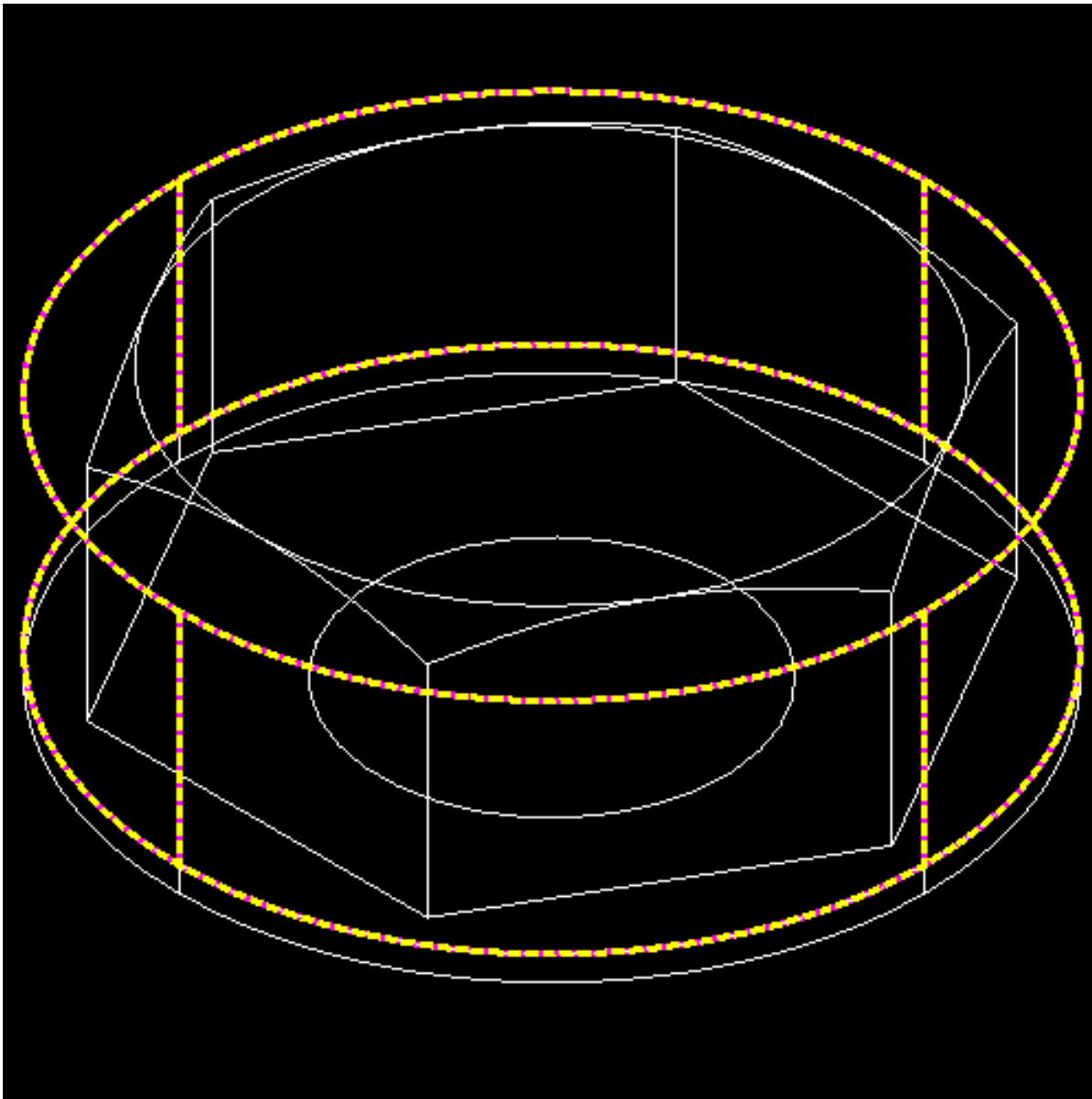


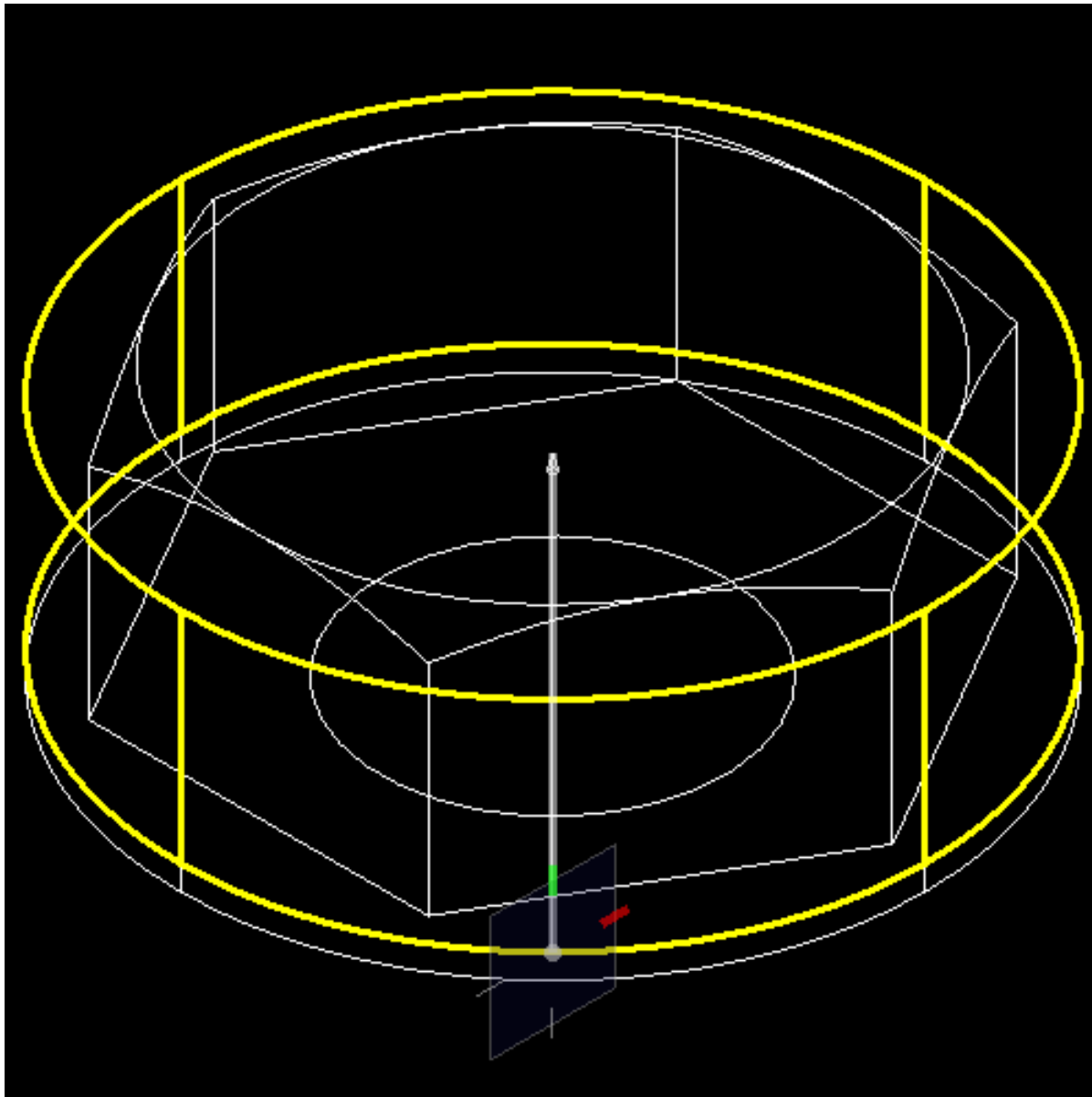


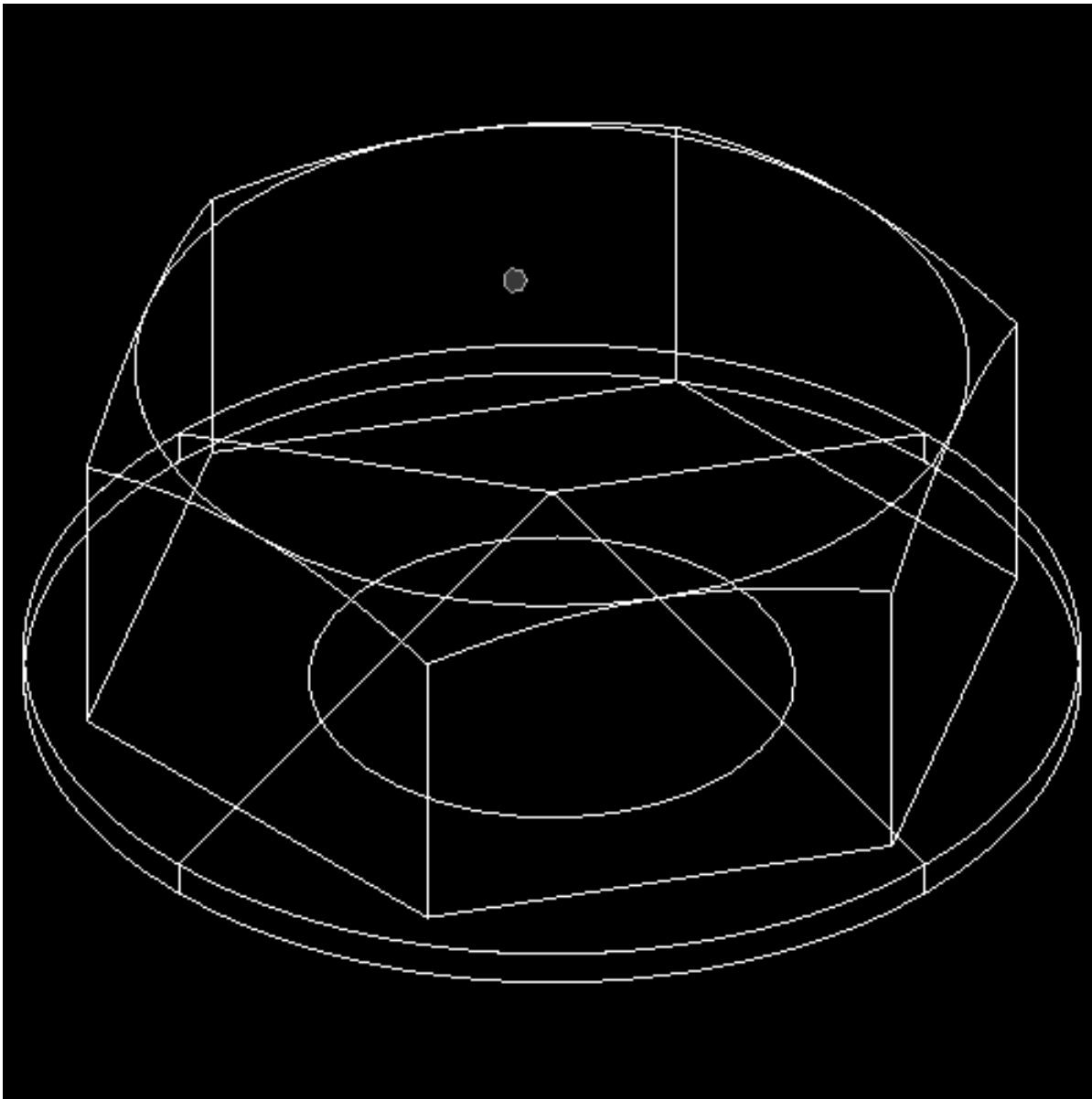


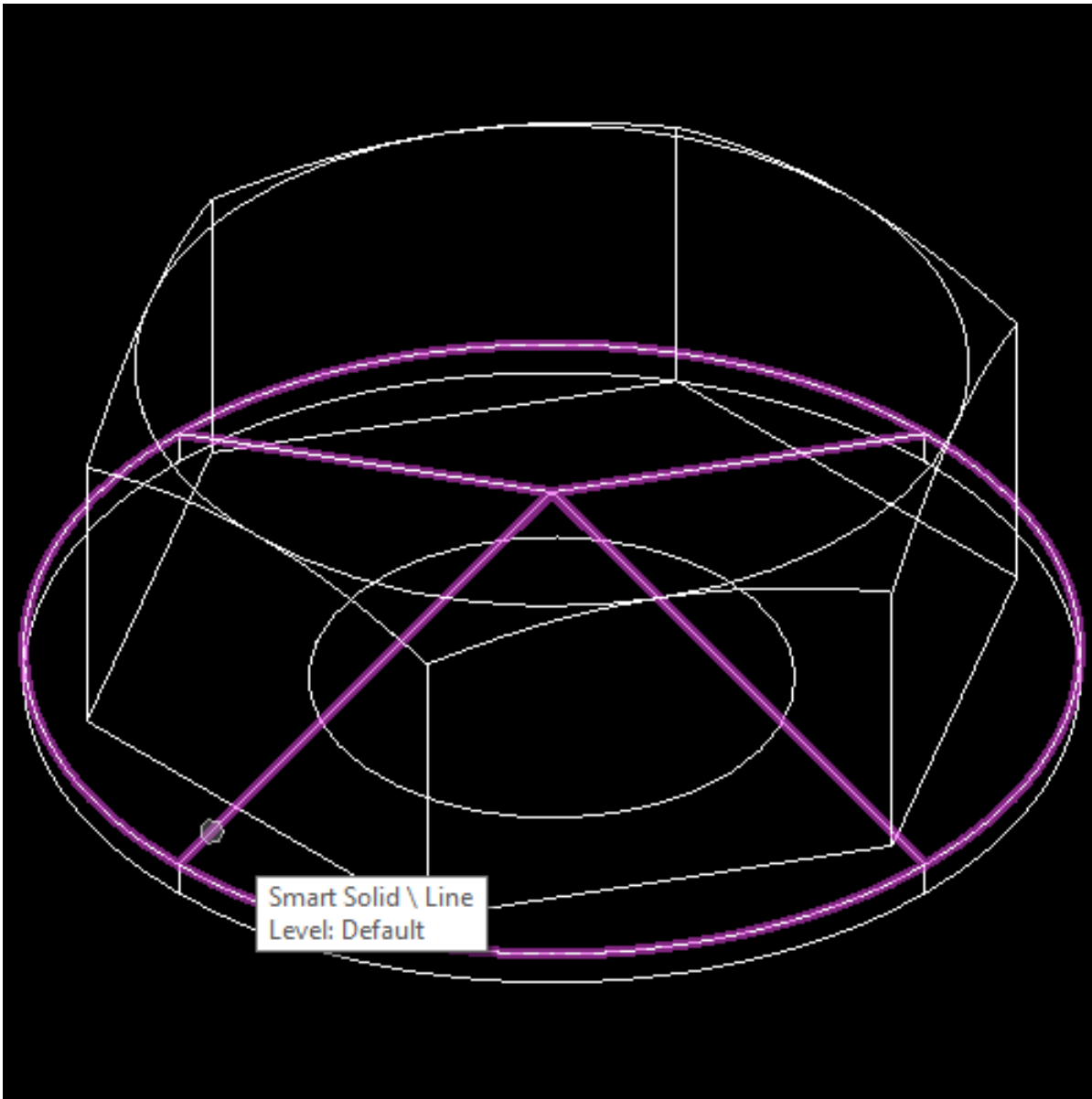


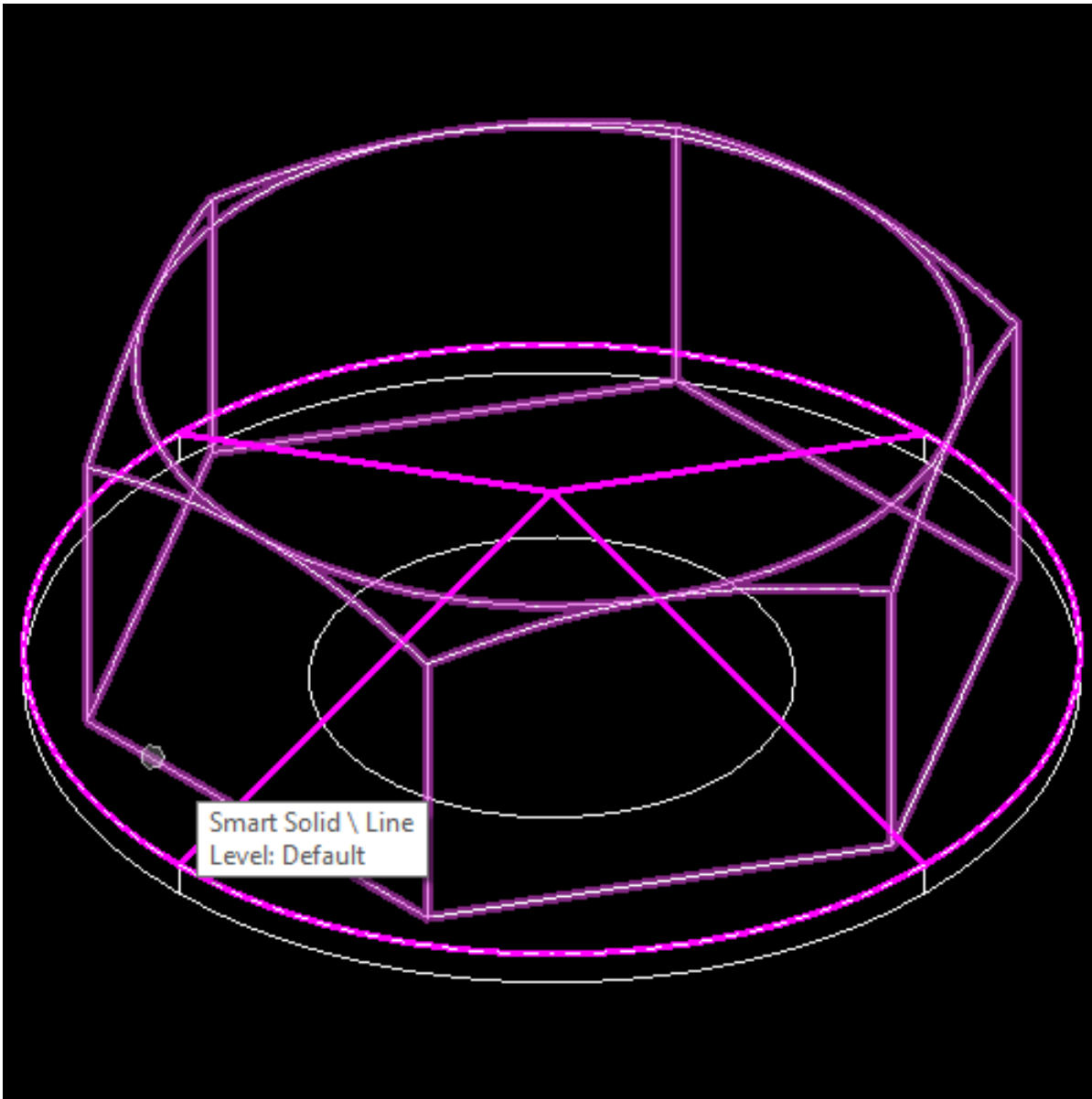


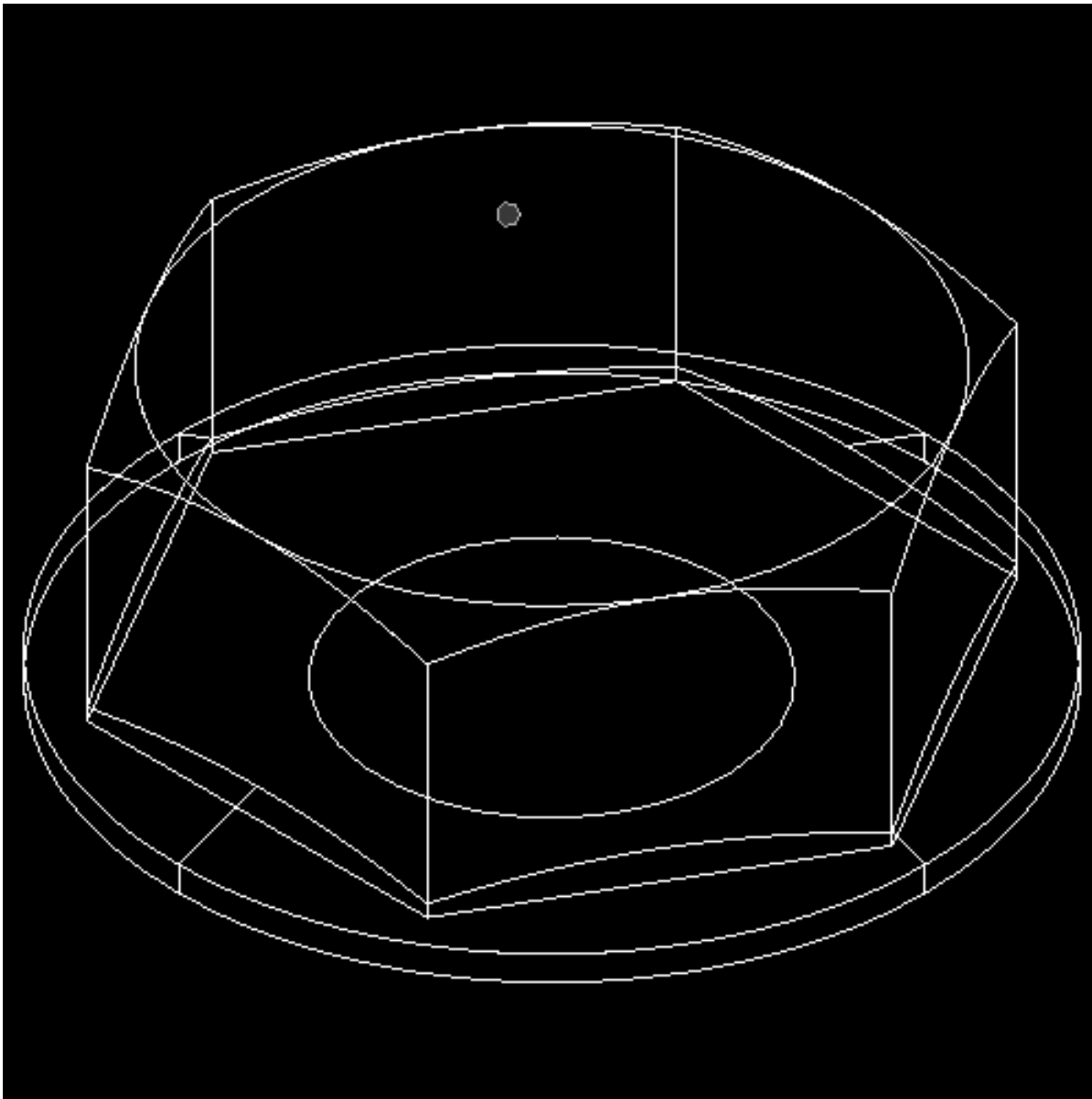




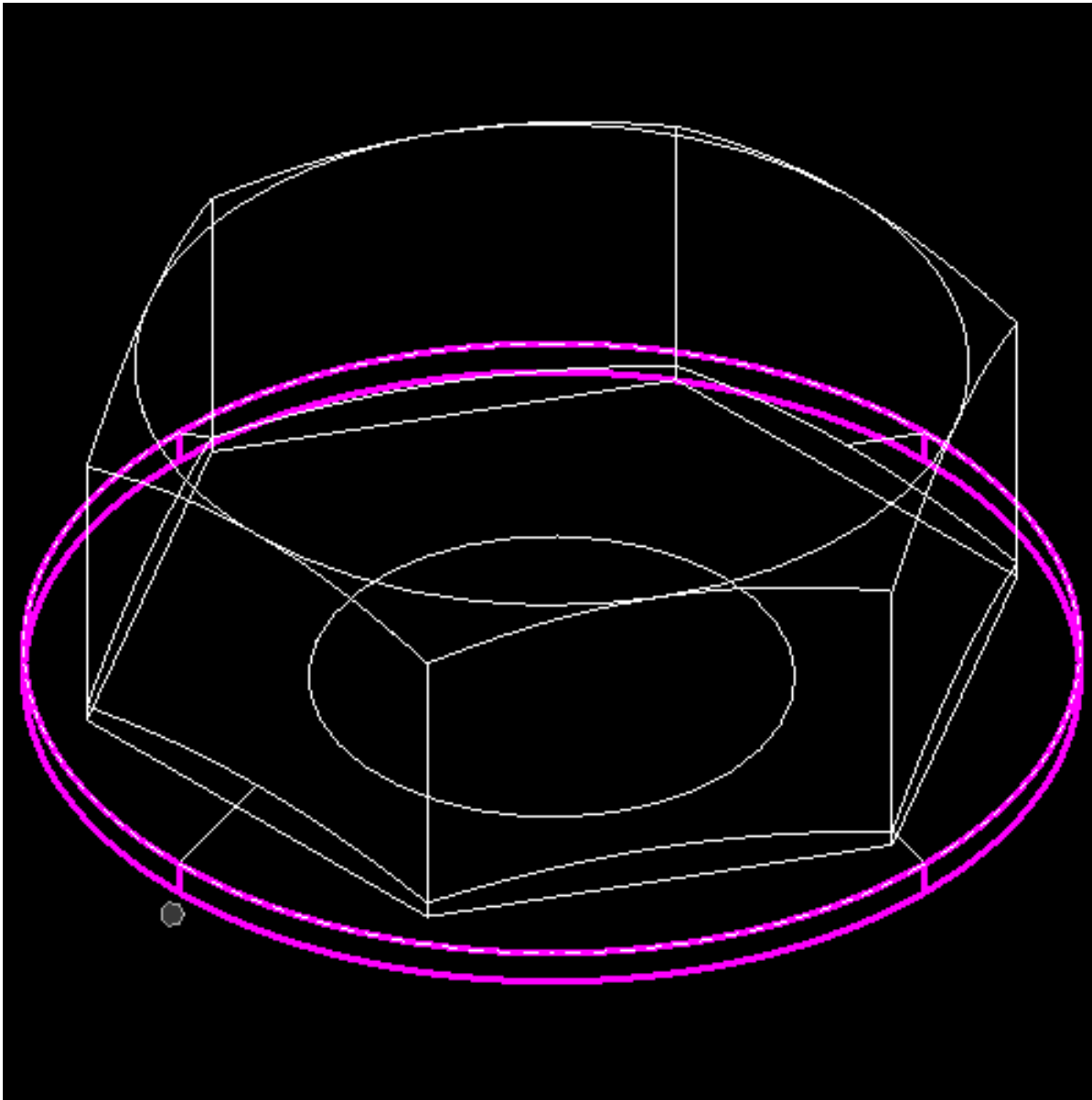






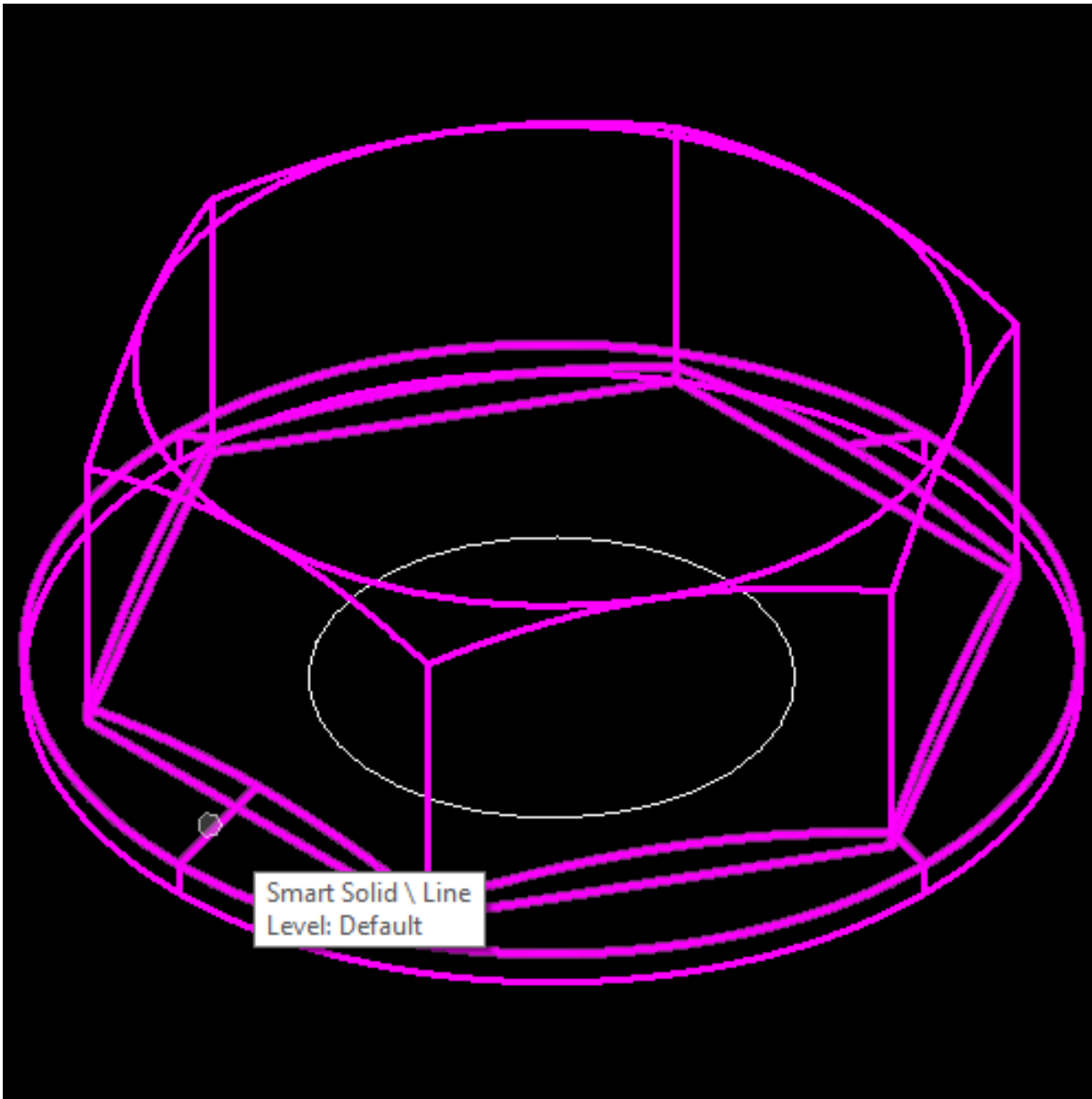


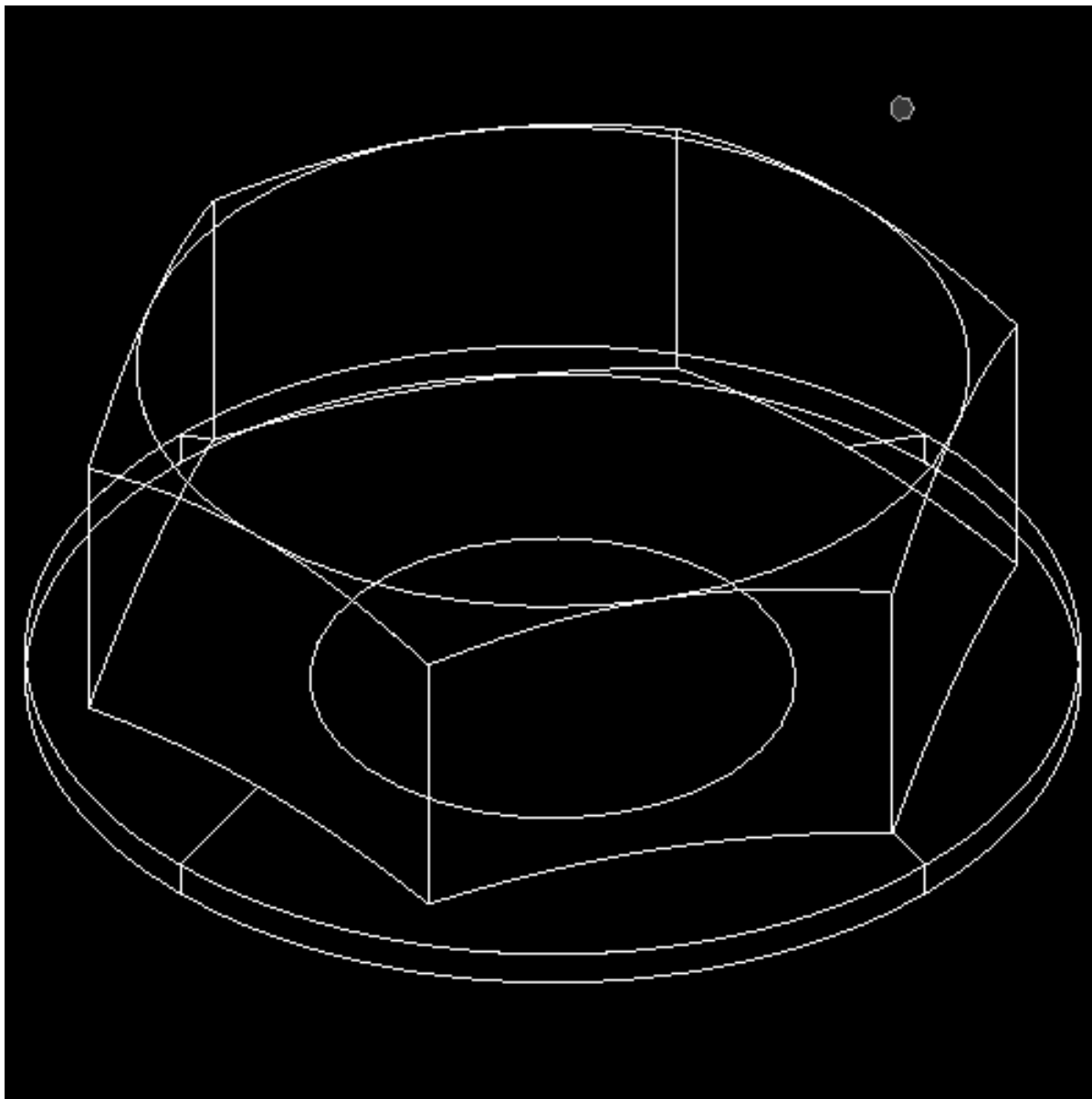




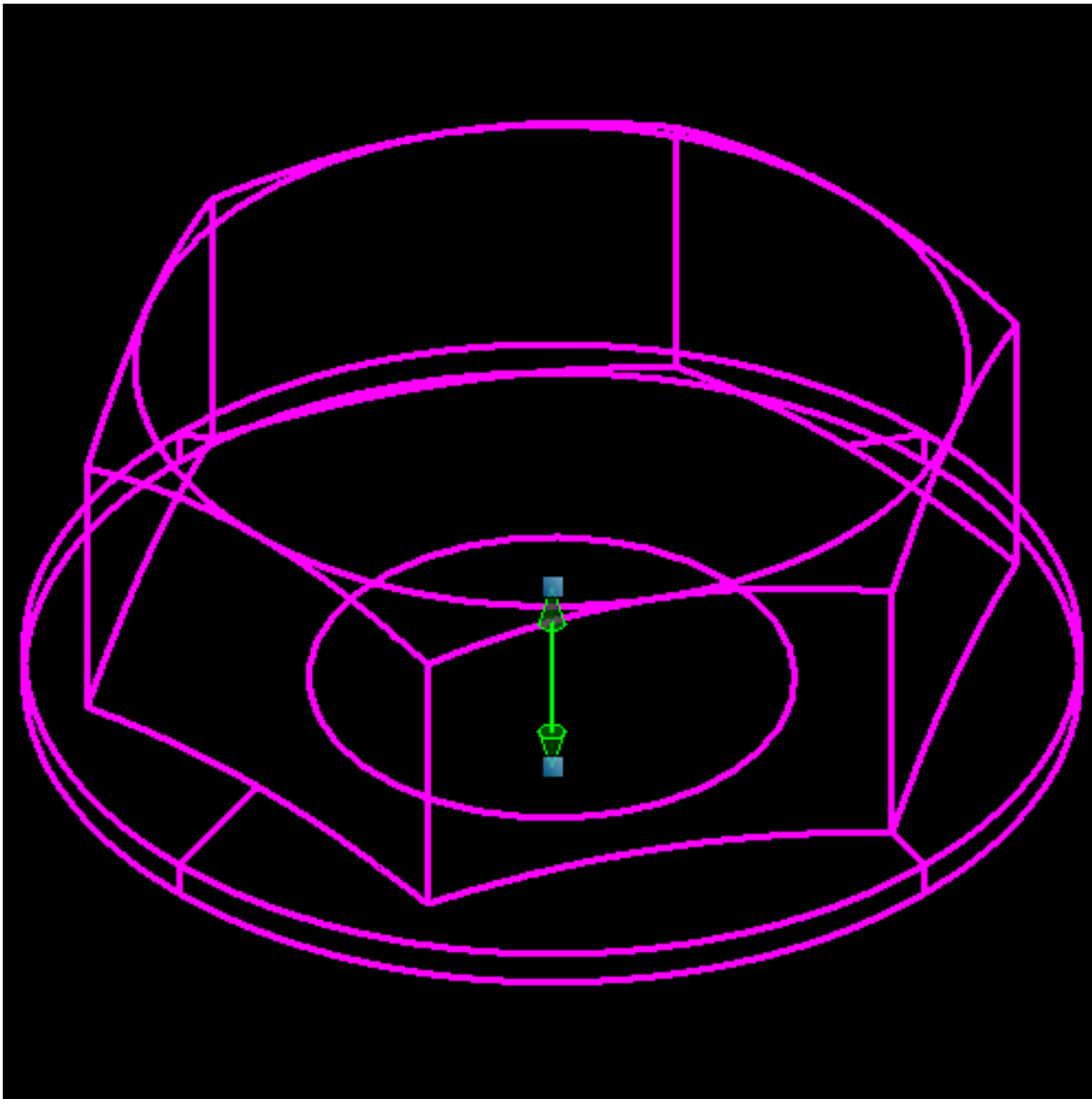
Modify Solids - Task

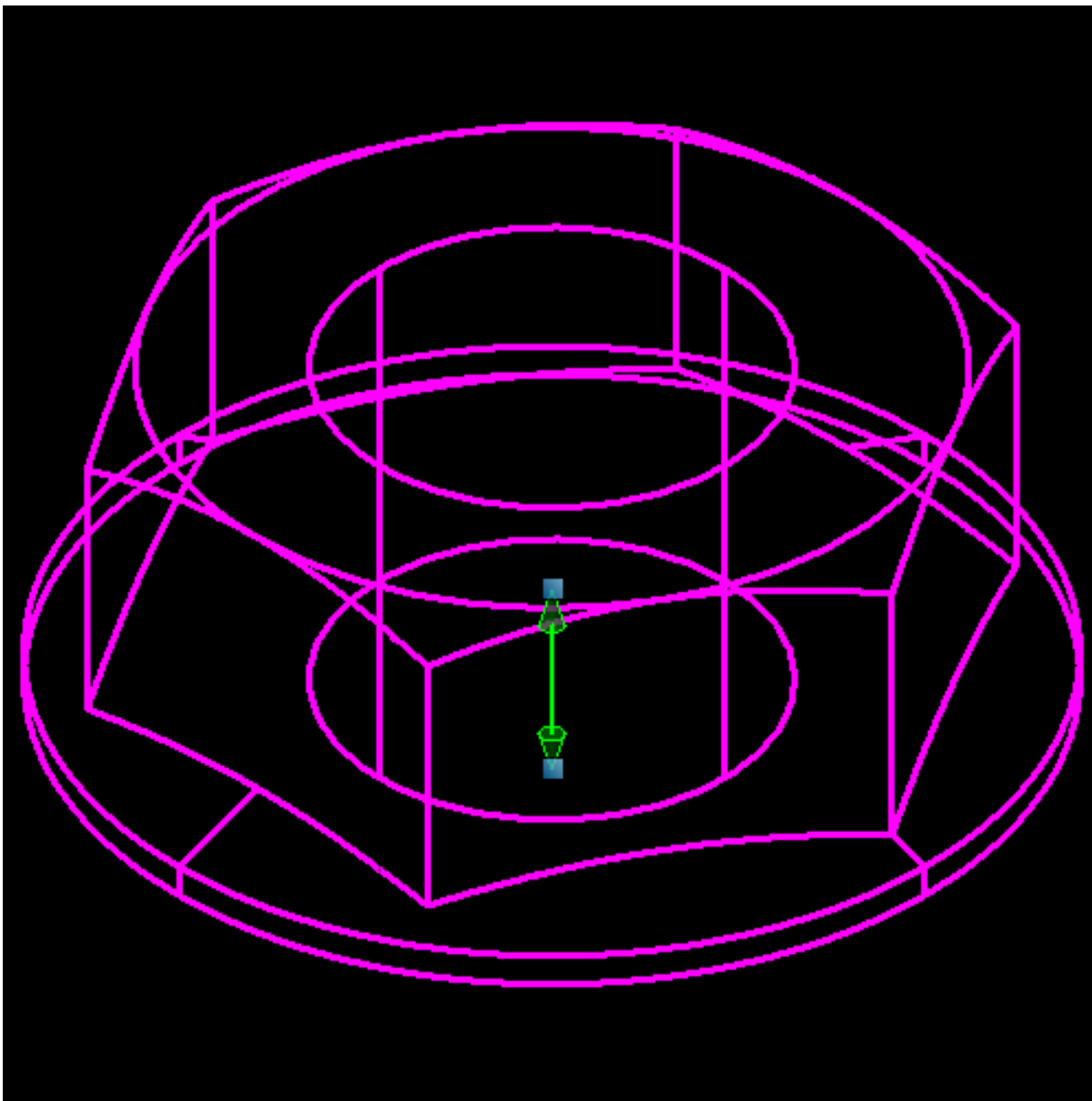


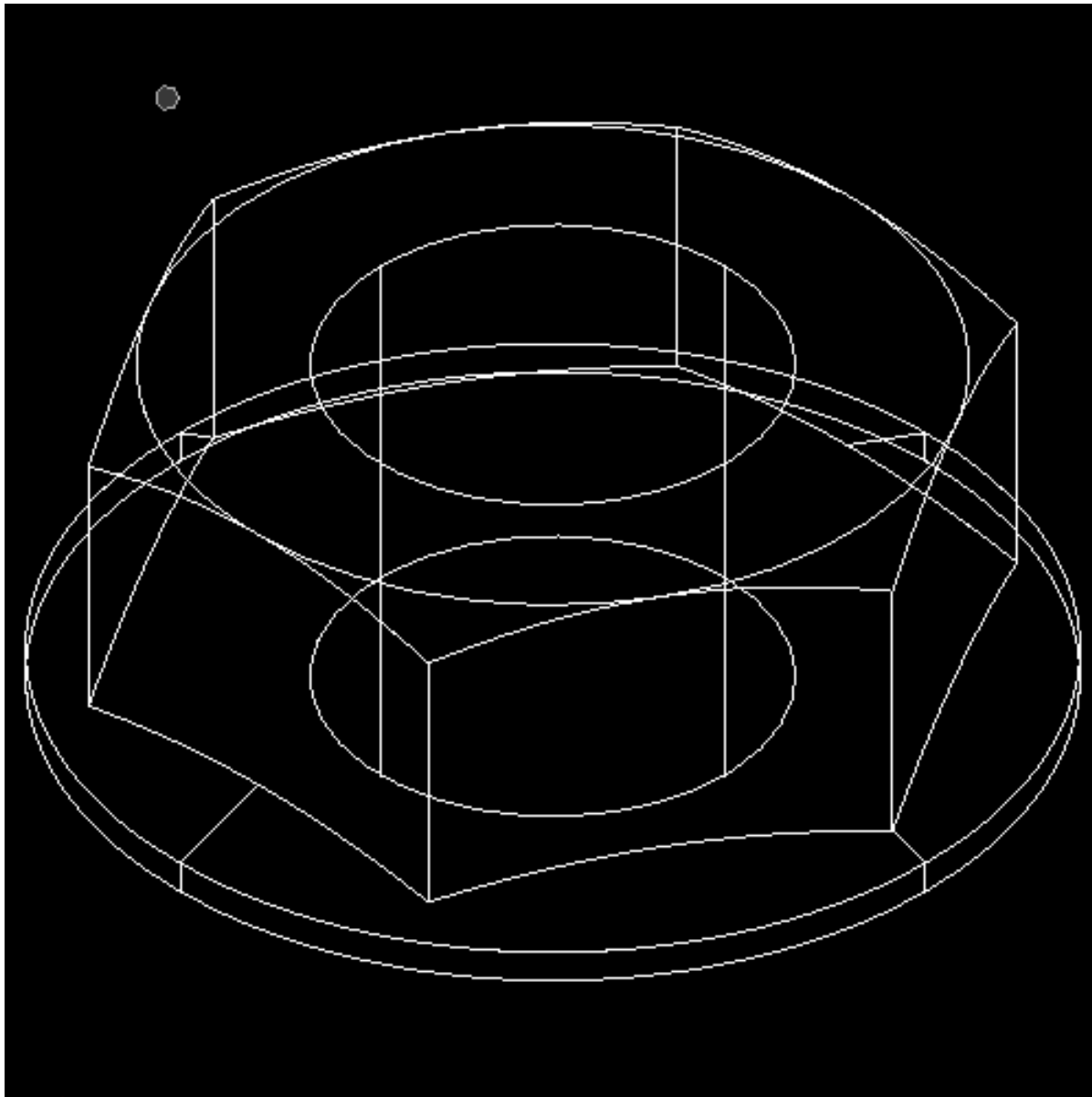


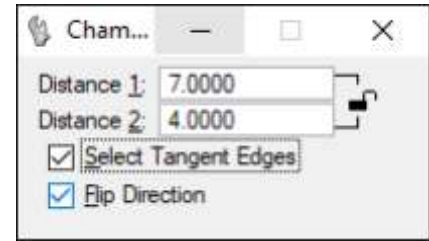
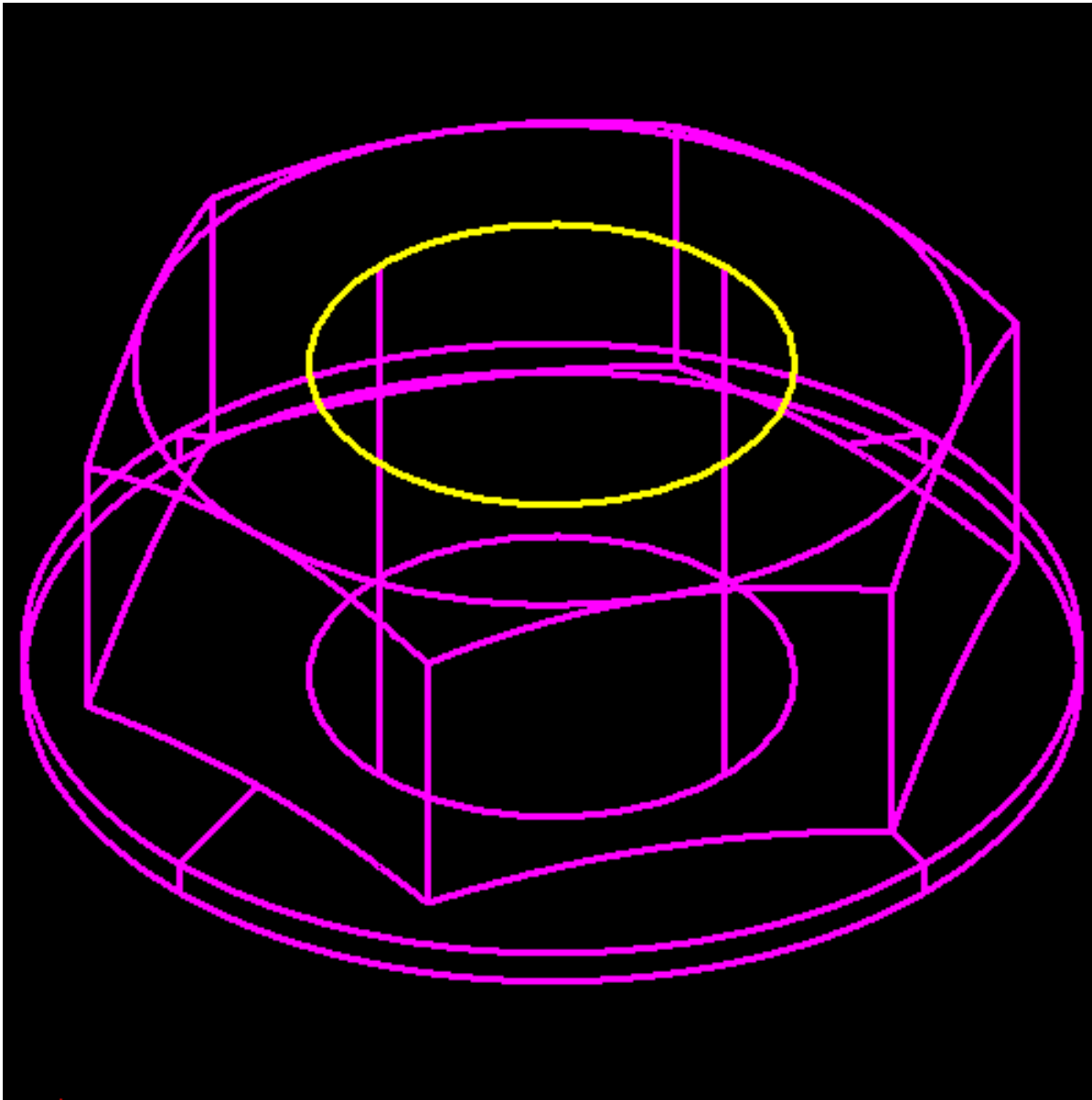








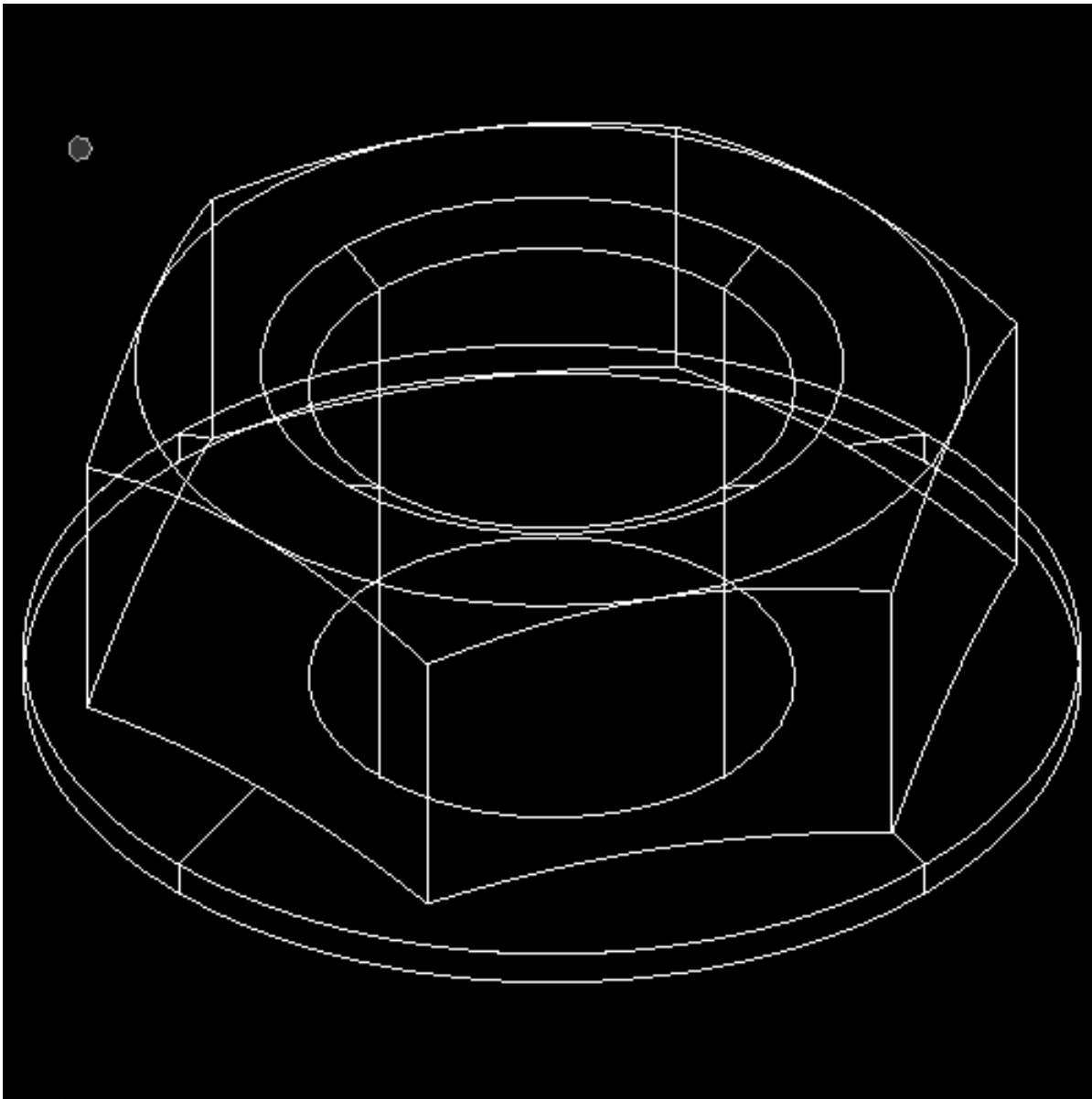


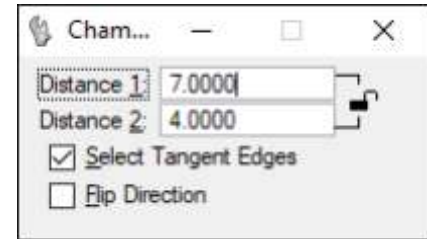
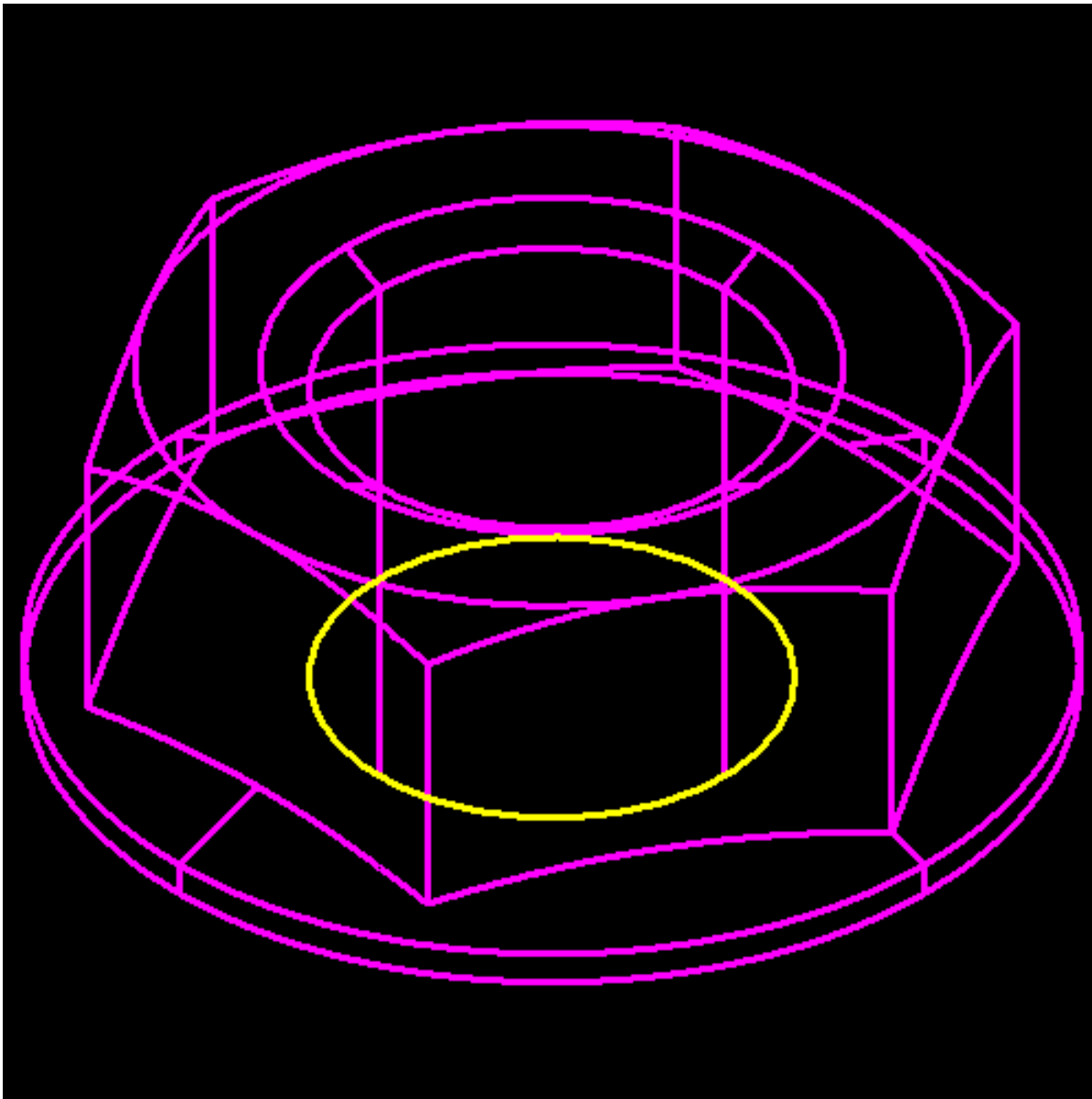


Modify Solids - Task



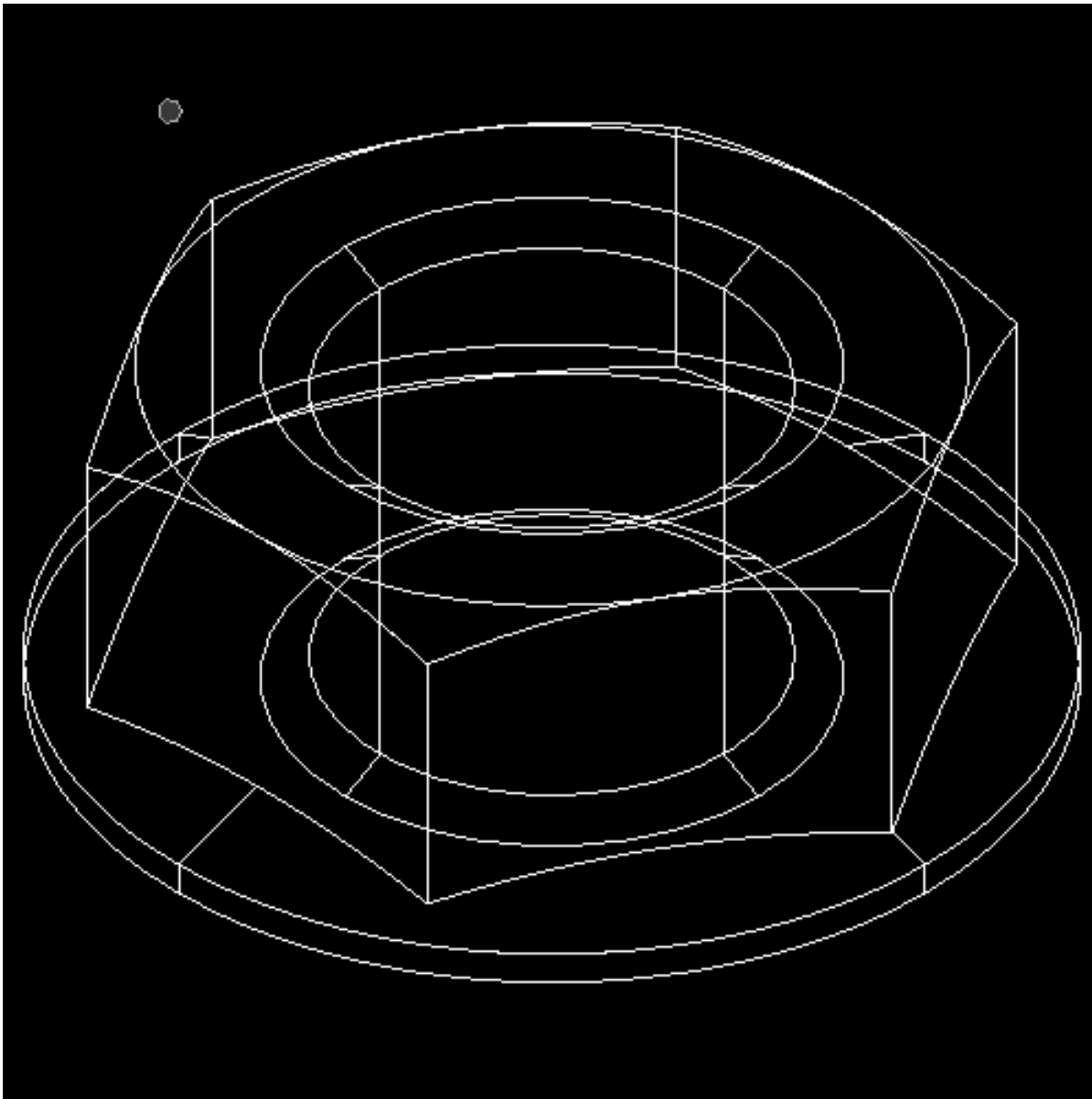


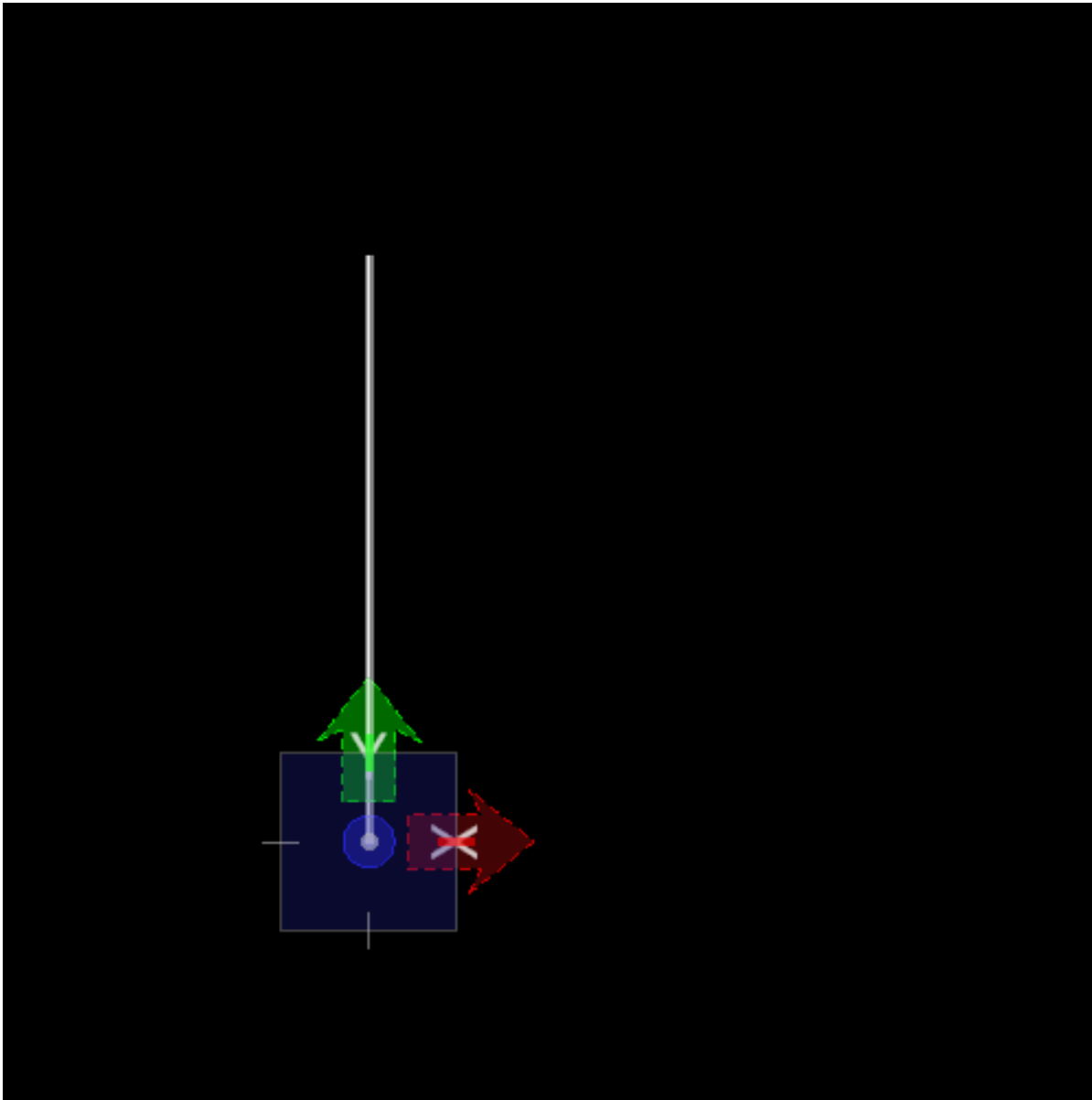




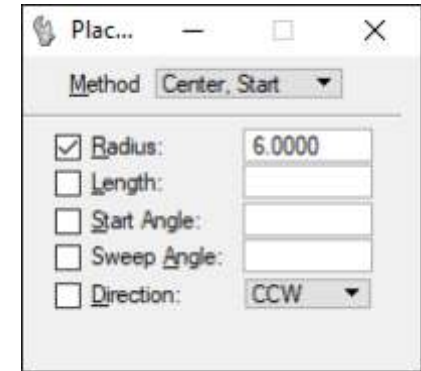
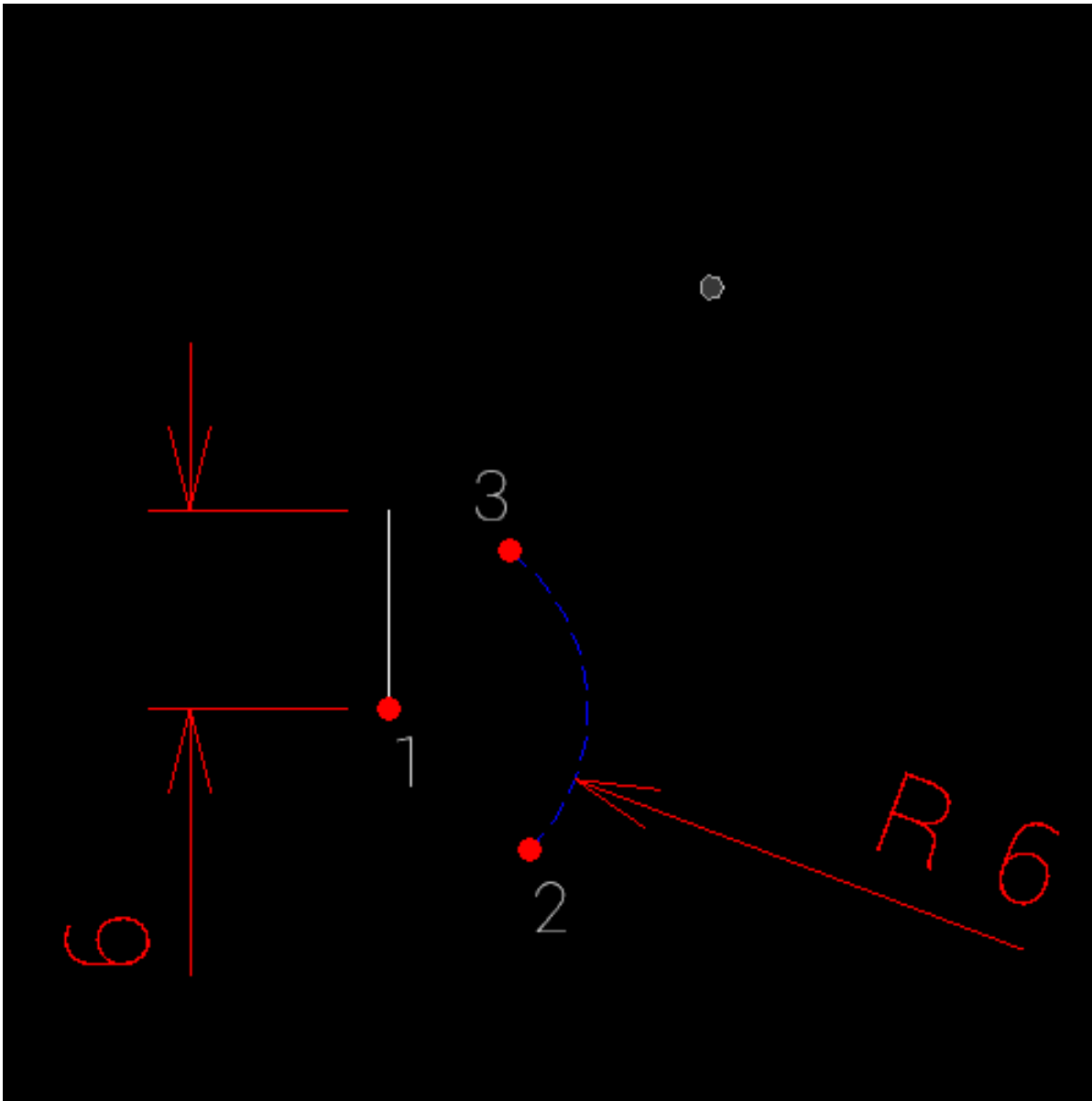
Modify Solids - Task

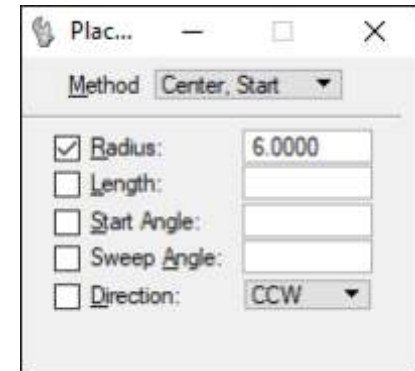
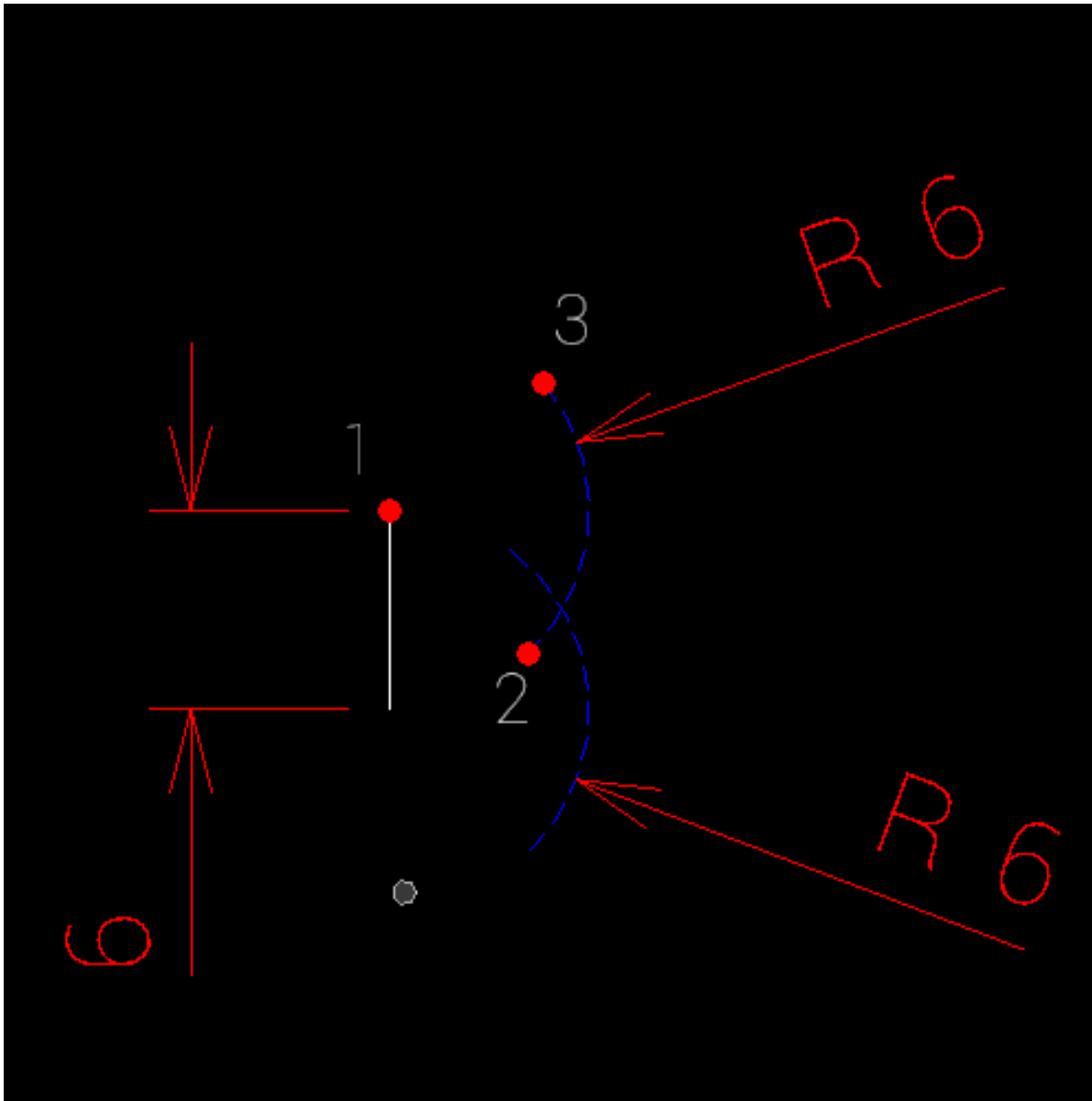


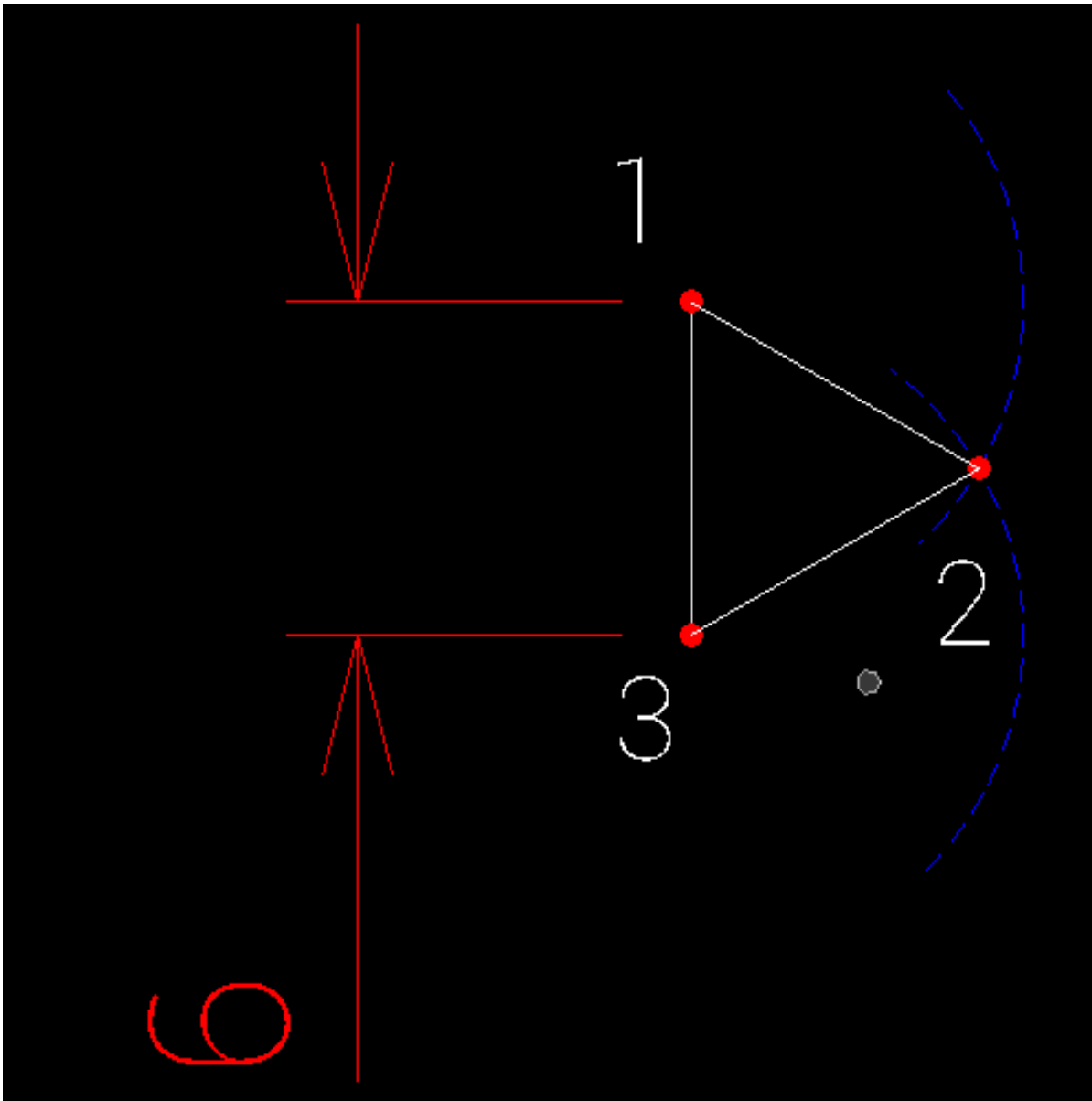




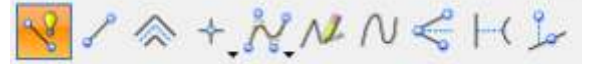
L=6

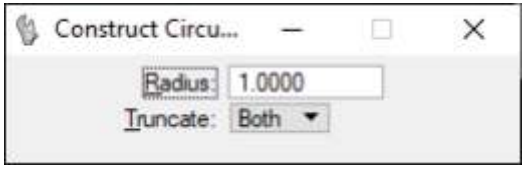
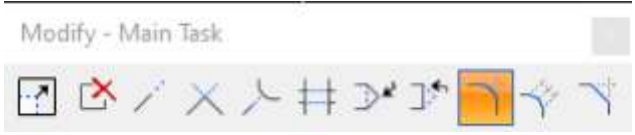
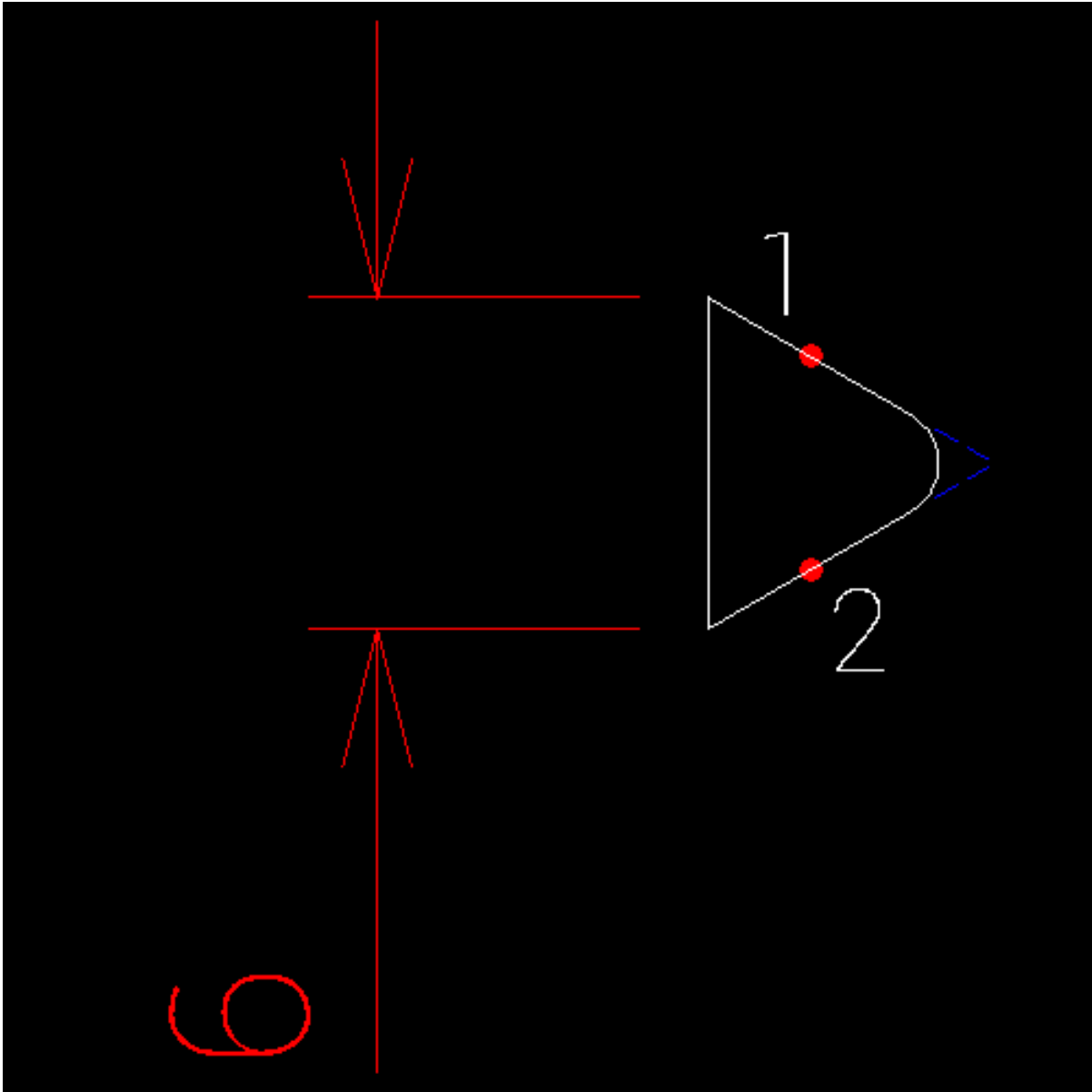




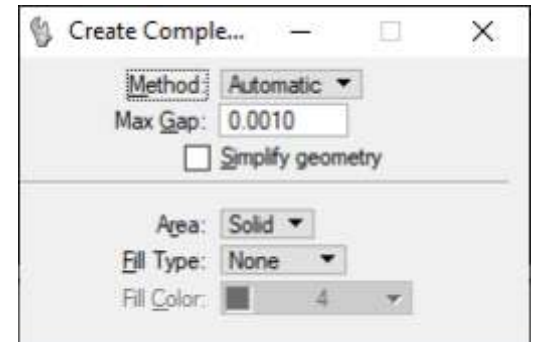
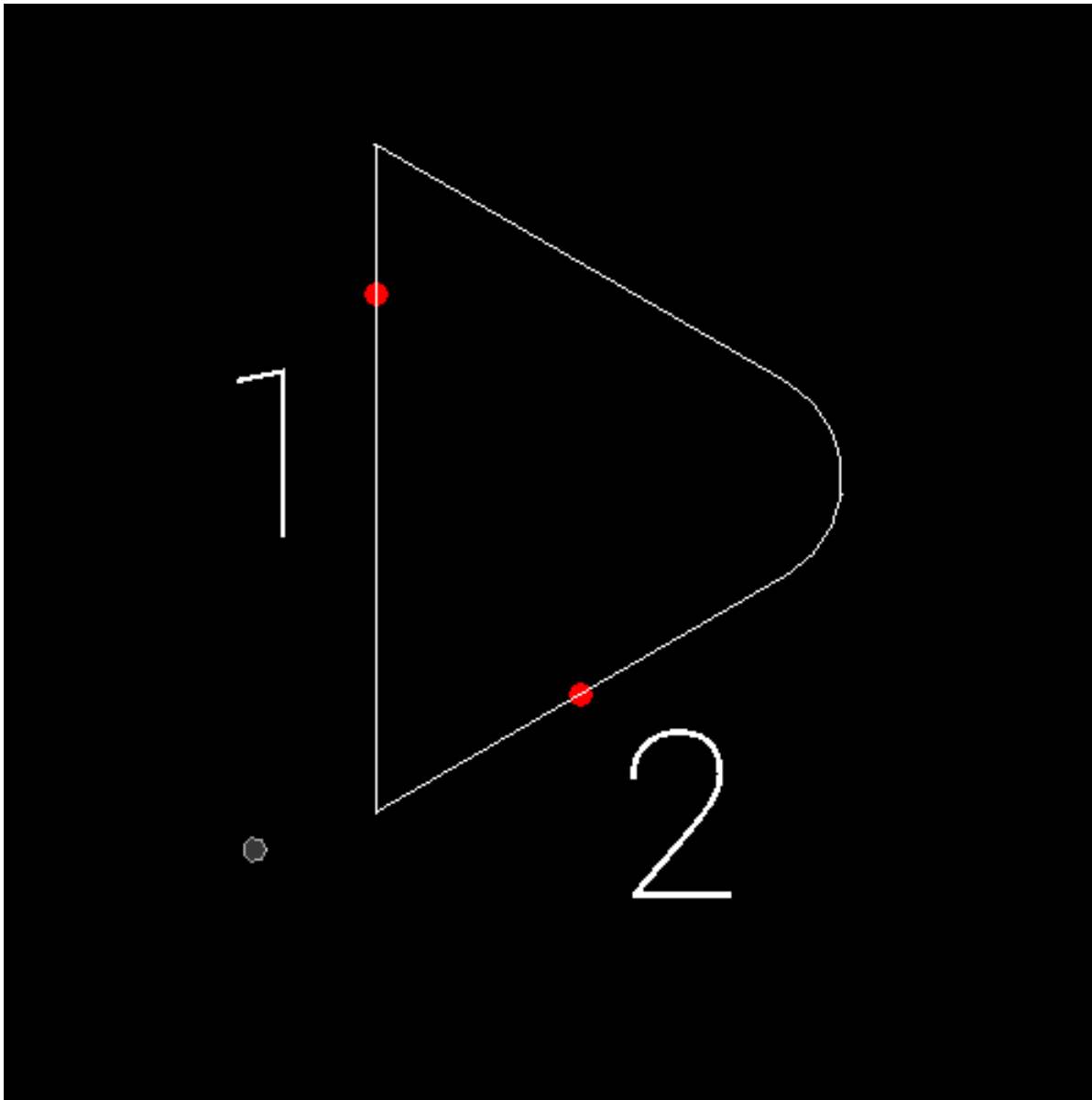


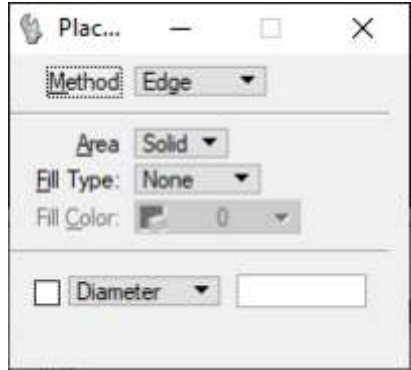
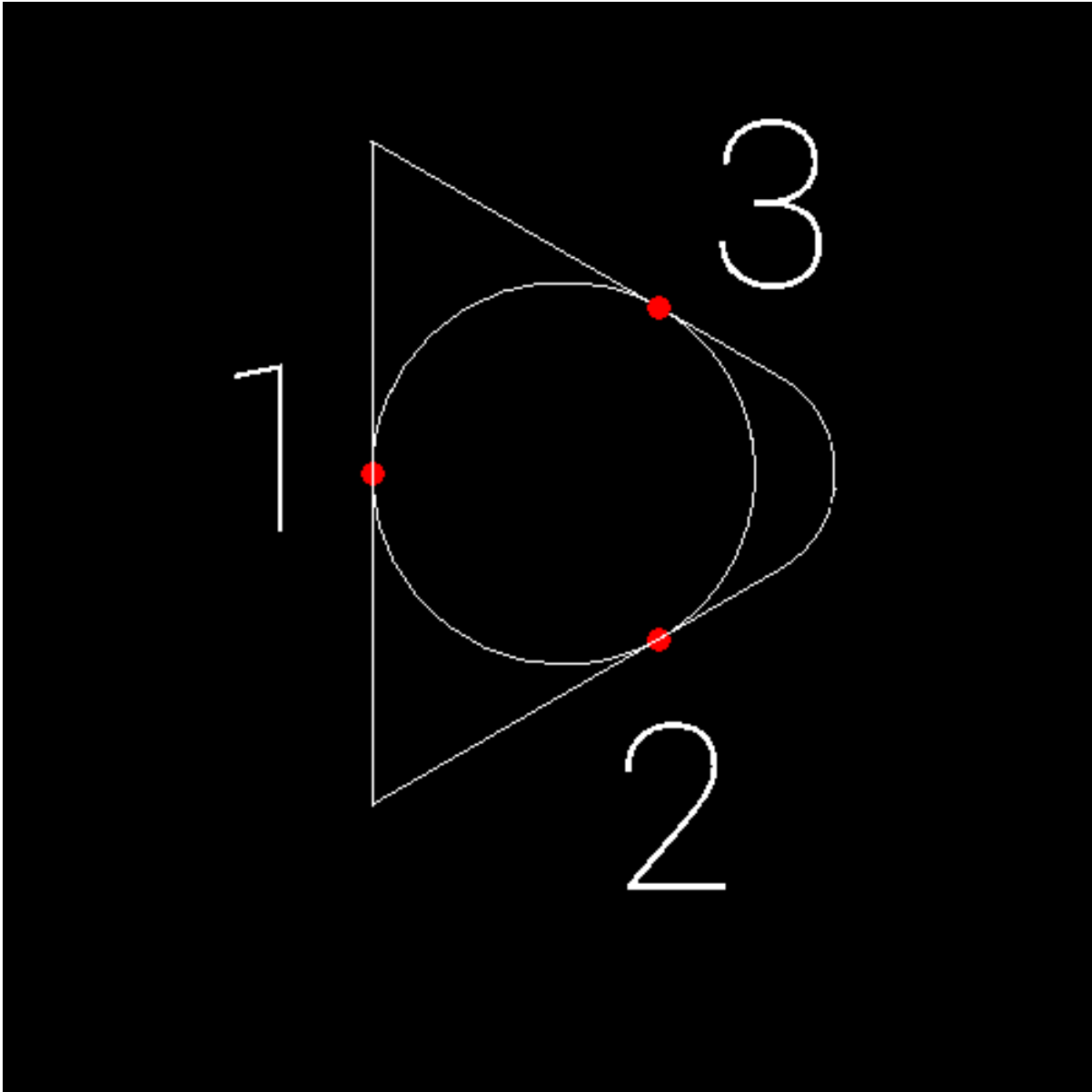
Linear - Task



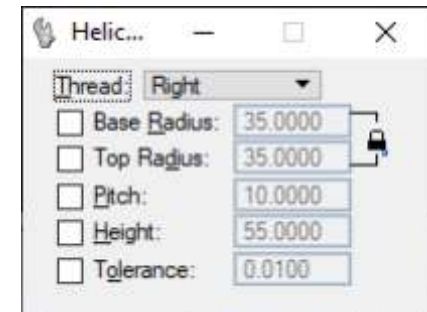
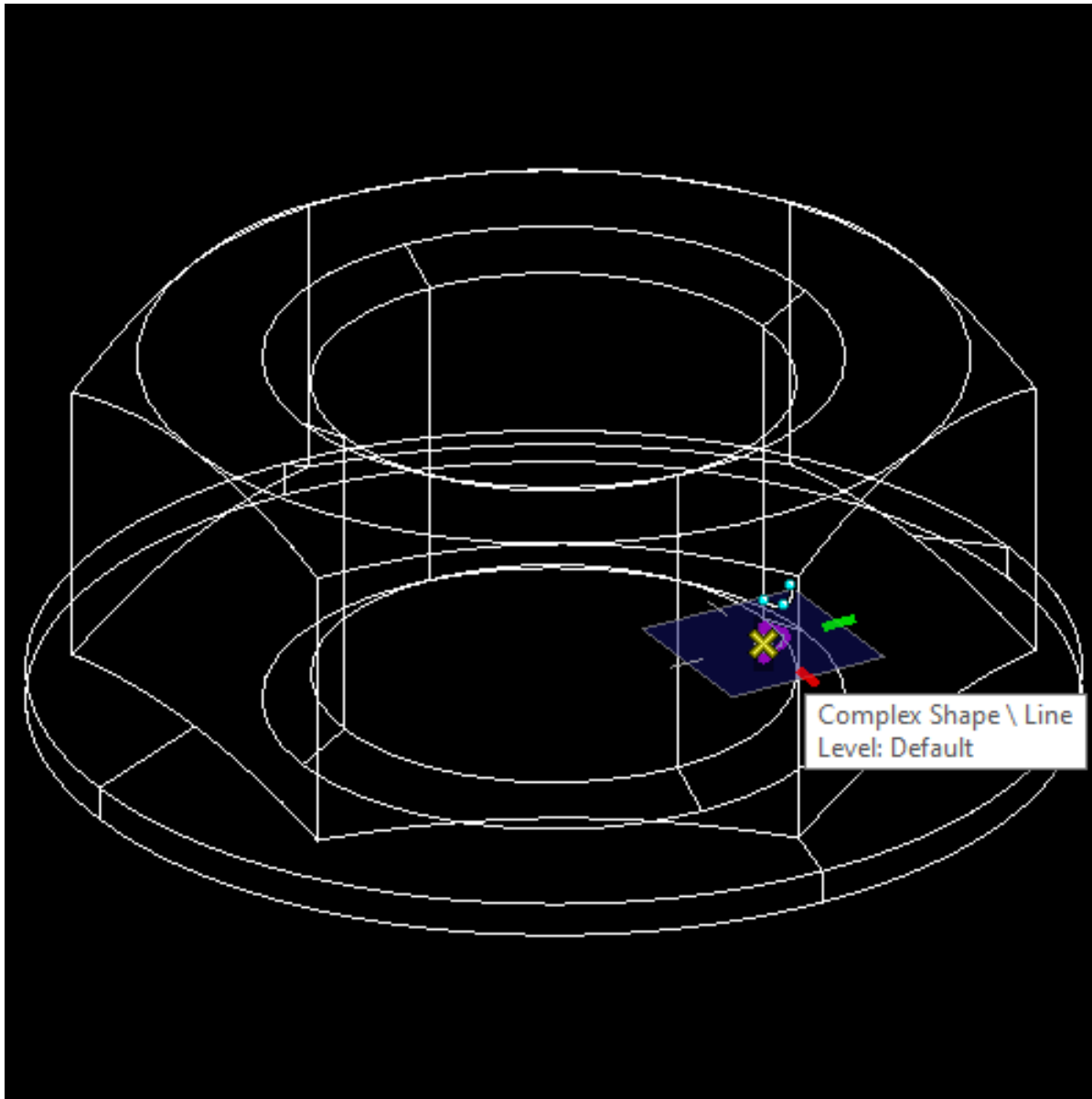


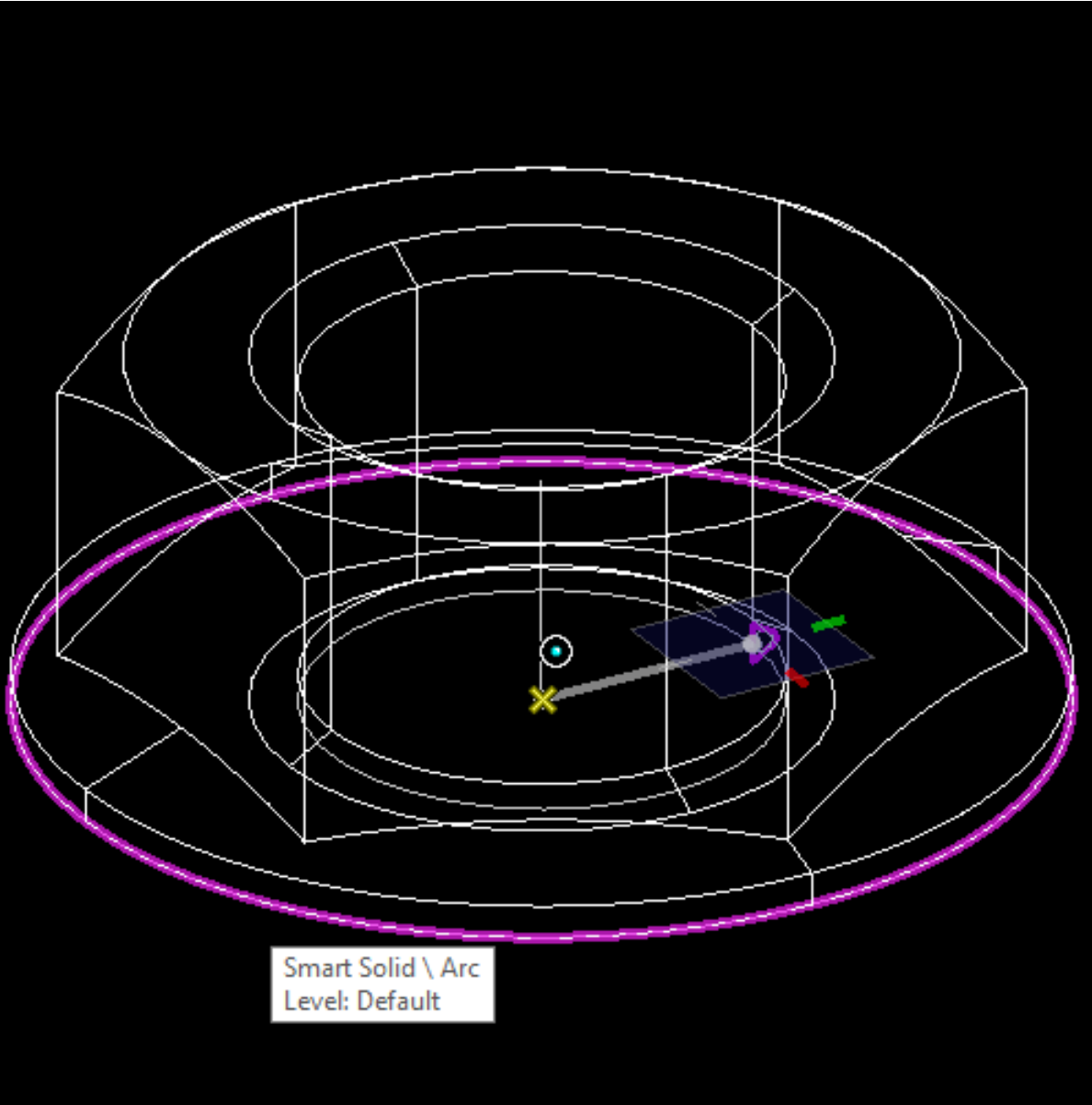


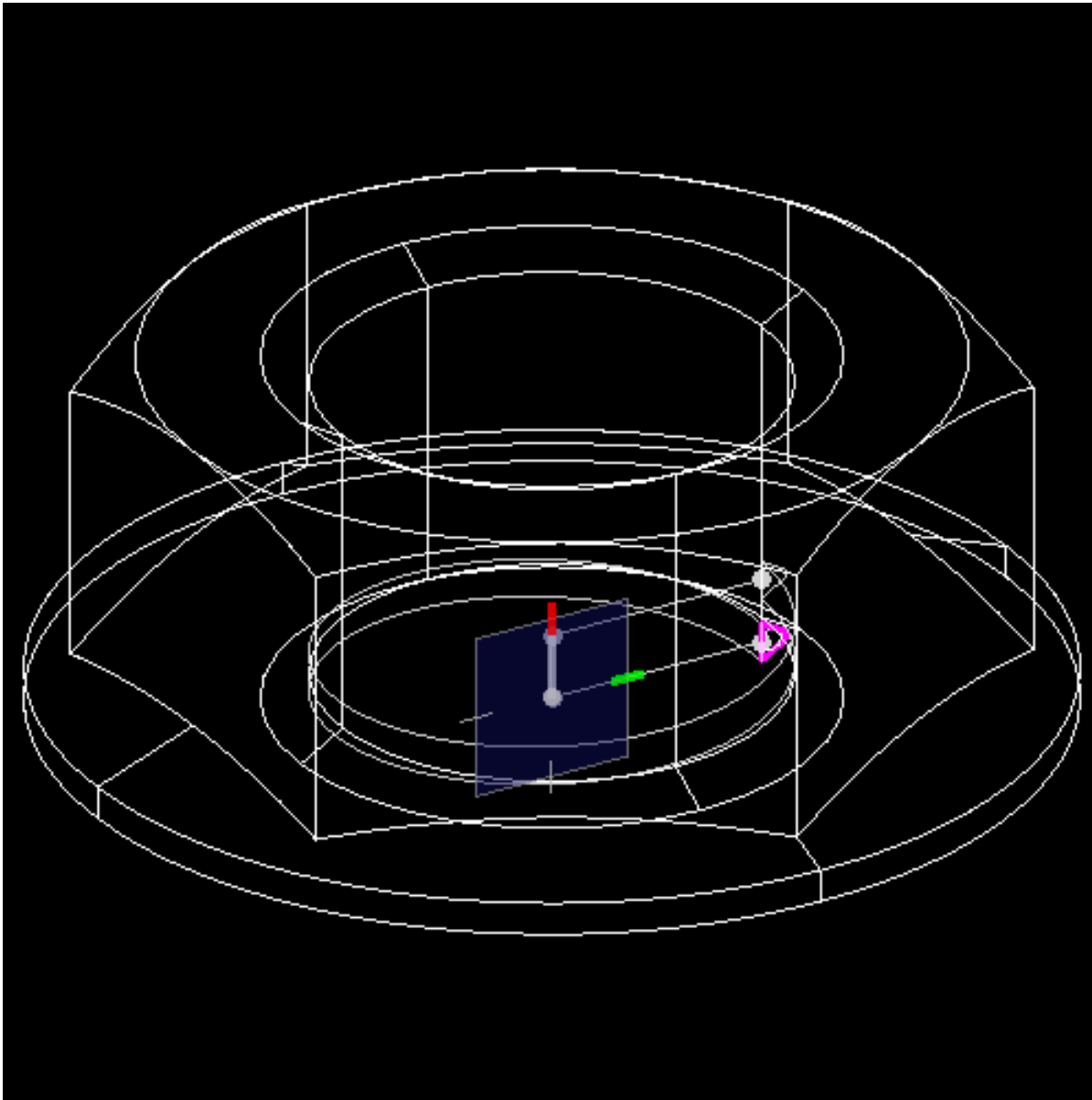












Pitch=10

